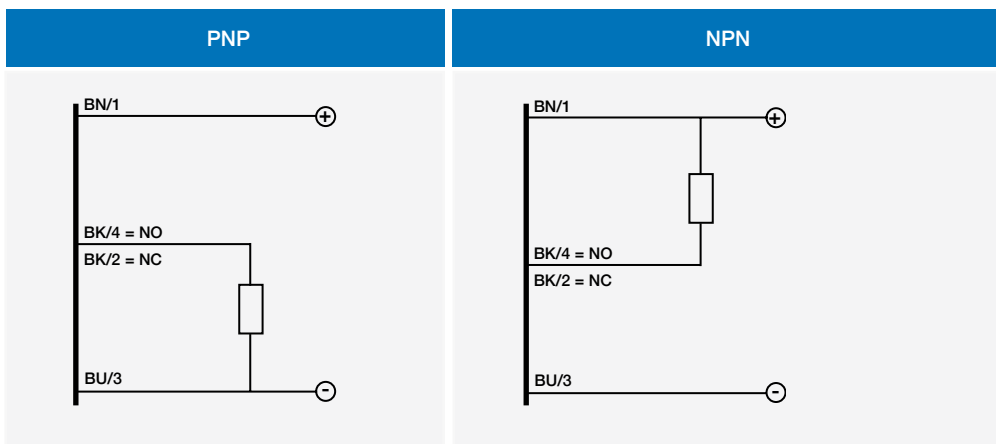




electrical diagrams of connections

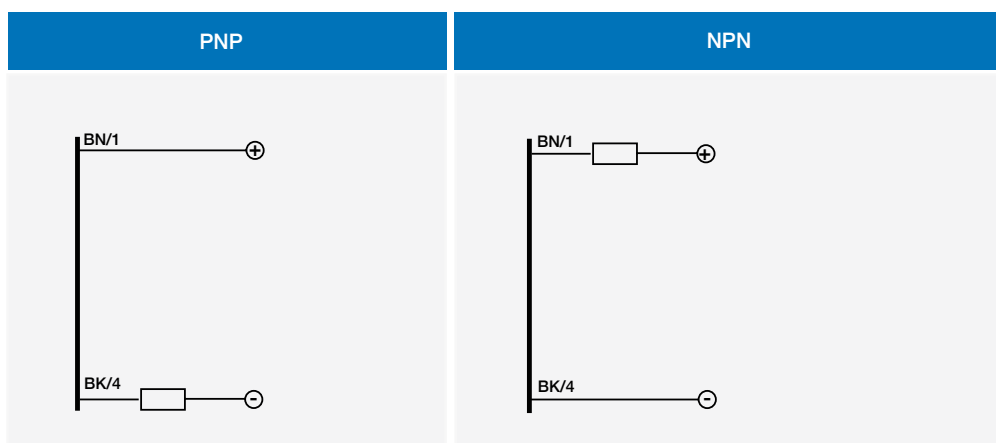
3 wires versions



- BN** brown
- BU** blue
- BK** black
- WH** white

electrical diagrams of connections

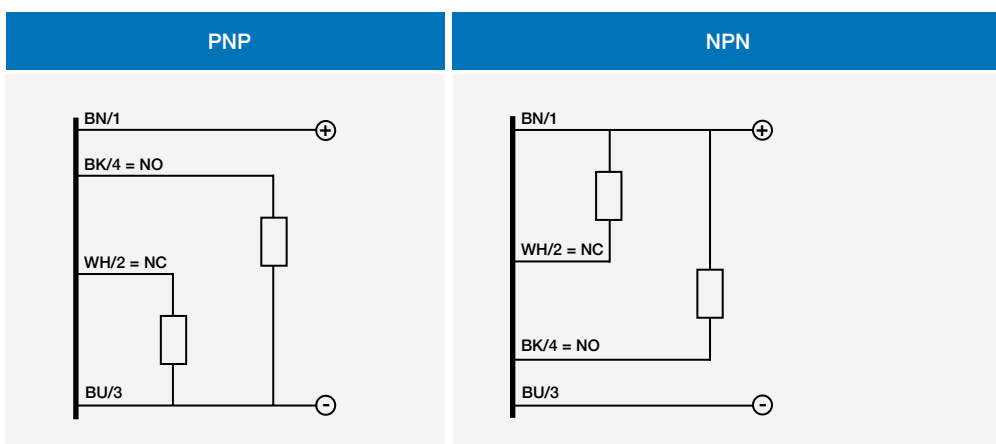
2 wires versions



- BN** brown
- BU** blue
- BK** black
- WH** white

electrical diagrams of connections

PKS-PKW complementary outputs versions



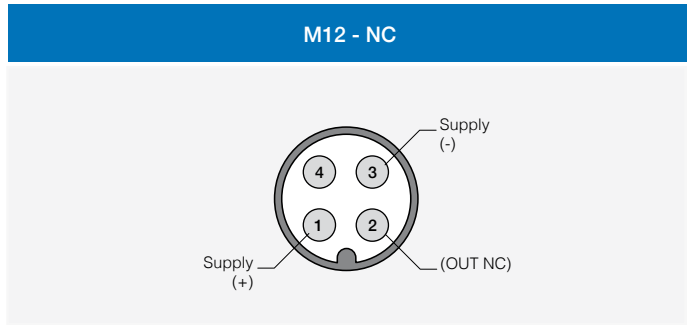
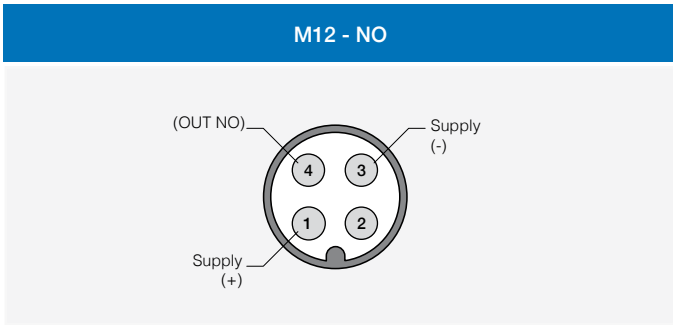
- BN** brown
- BU** blue
- BK** black
- WH** white



plug

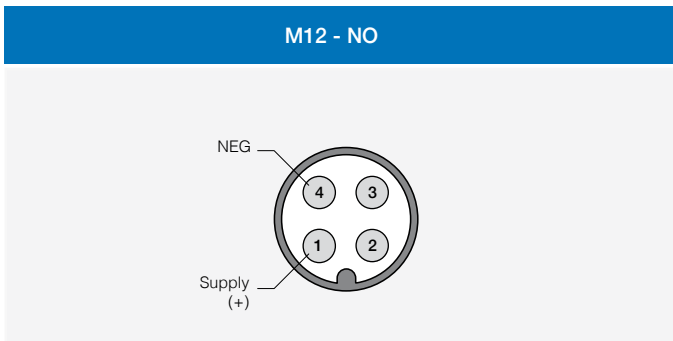
3 wires versions

M18 cylindrical



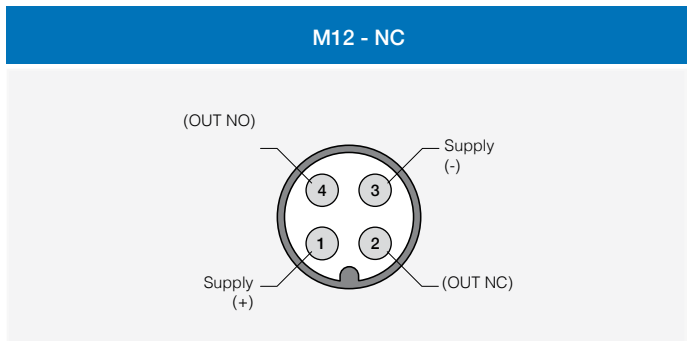
plug

2 wires versions

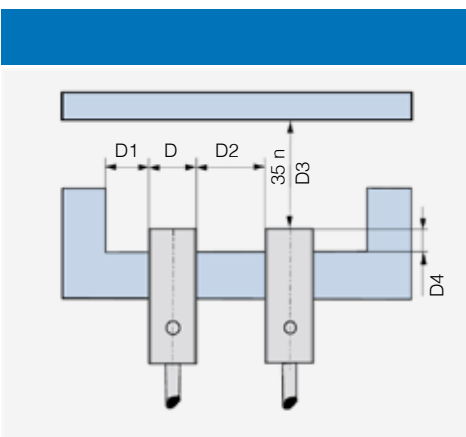


plug

versioni complementary outputs versions



installation

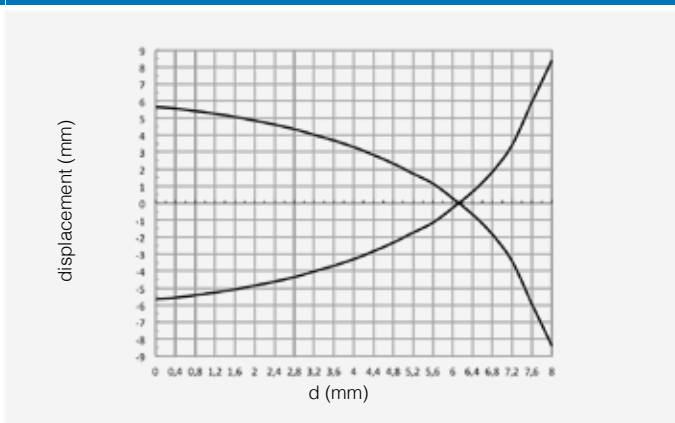
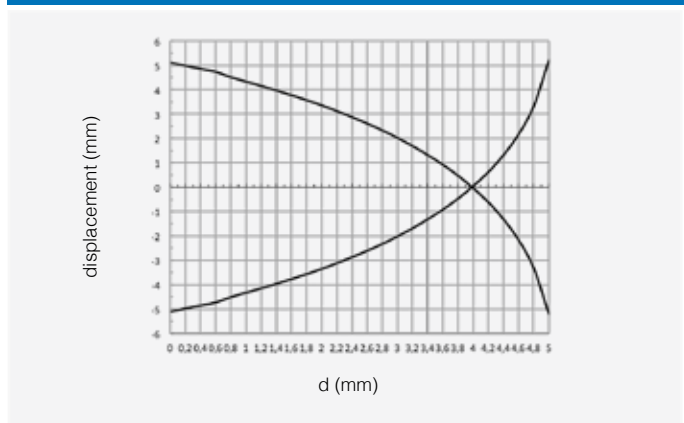


code	D4	D1	D2	D3
AK/**-1*	≥ 3.6 mm	≥ 9 mm	≥ 18 mm	≥ 15 mm
AK/**-2* -	≥ 16 mm	≥ 18 mm	≥ 36 mm	≥ 24 mm
AK1/**-3*	≥ 3.6 mm	≥ 9 mm	≥ 18 mm	≥ 24 mm
AK1/**-4*	≥ 16 mm	≥ 18 mm	≥ 36 mm	≥ 36 mm
AK6/**-1*	≥ 3.6 mm	≥ 9 mm	≥ 18 mm	≥ 15 mm
AK6/**-2*	≥ 12 mm	≥ 18 mm	≥ 36 mm	≥ 24 mm
AK6/**-3*	≥ 1.8 mm ⁽¹⁾	≥ 9 mm	≥ 18 mm	≥ 24 mm
AK6/**-4*	≥ 16 mm	≥ 18 mm	≥ 36 mm	≥ 36 mm

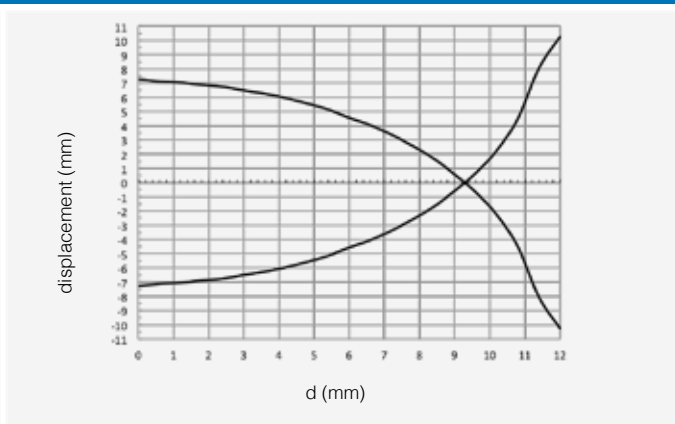
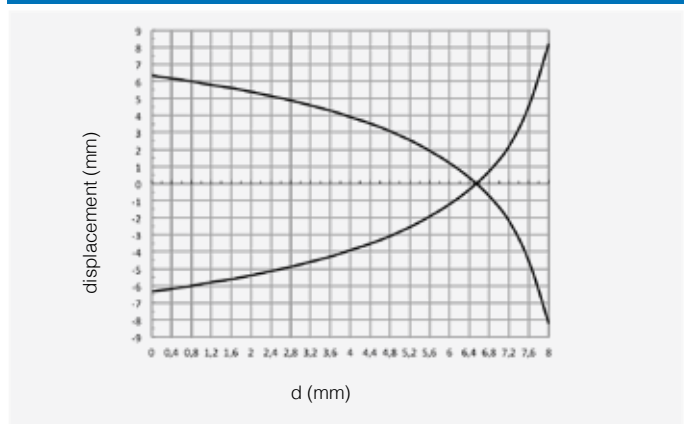
⁽¹⁾ ≥ 5.4 mm for not magnetic materials



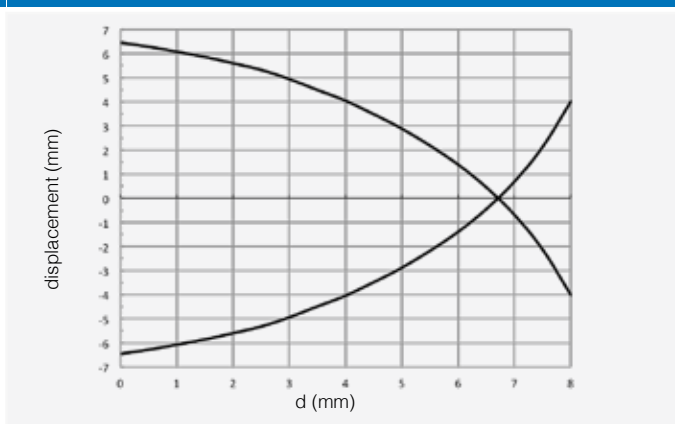
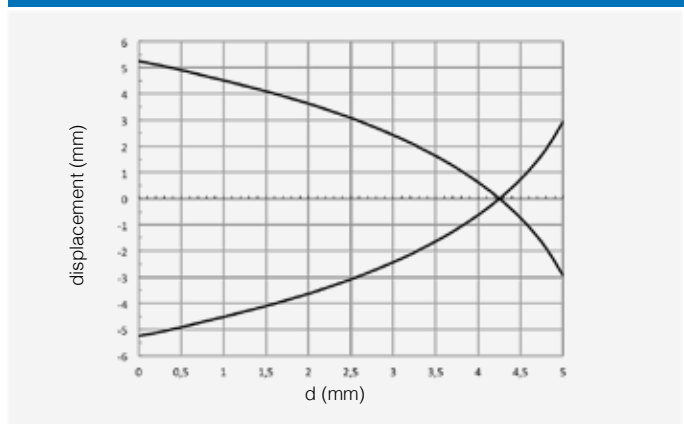
AK1/**-1* parallel displacement AK1/**-2* parallel displacement



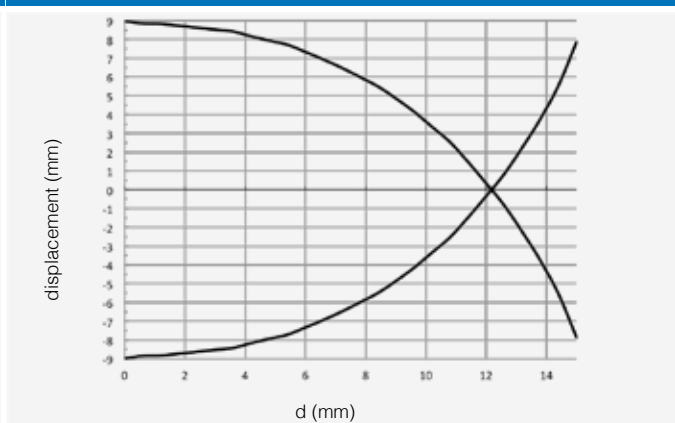
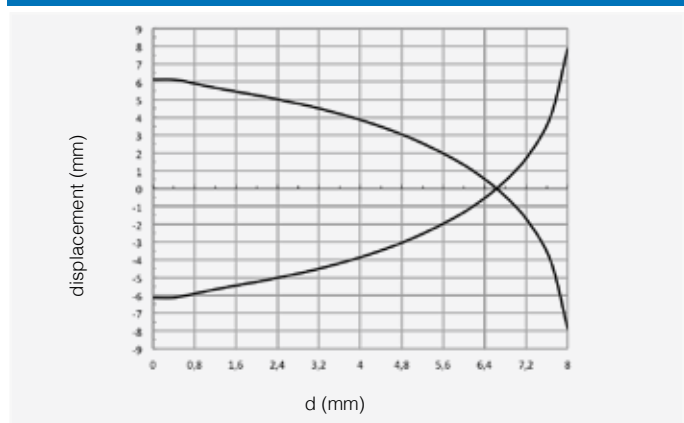
AK1/**-3* parallel displacement AK1/**-4* parallel displacement



AK6/**-1* parallel displacement AK6/**-2* parallel displacement



AK6/**-3* parallel displacement AK6/**-4* parallel displacement

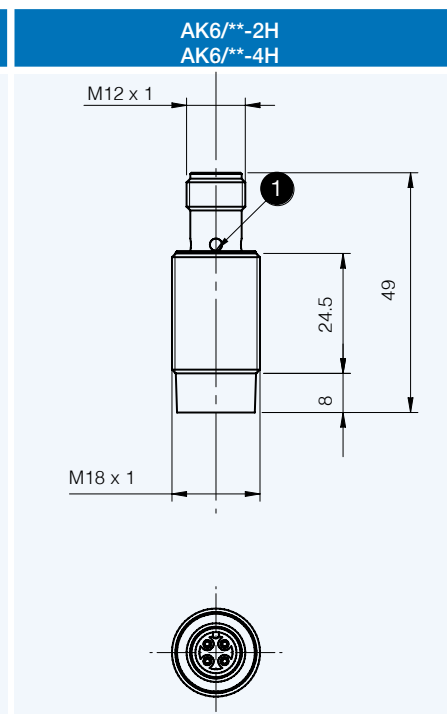
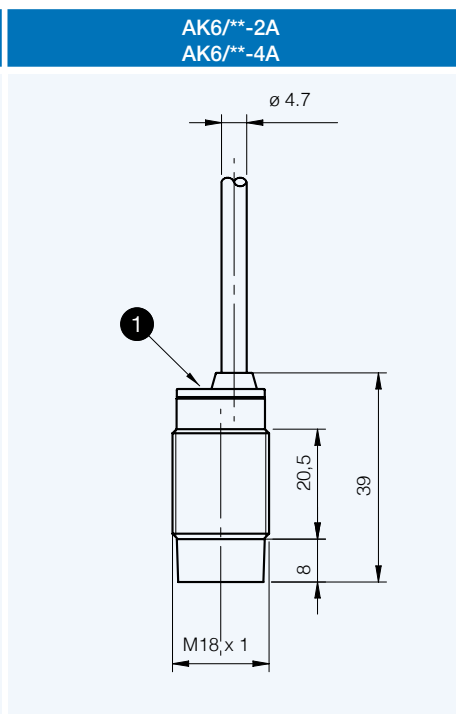
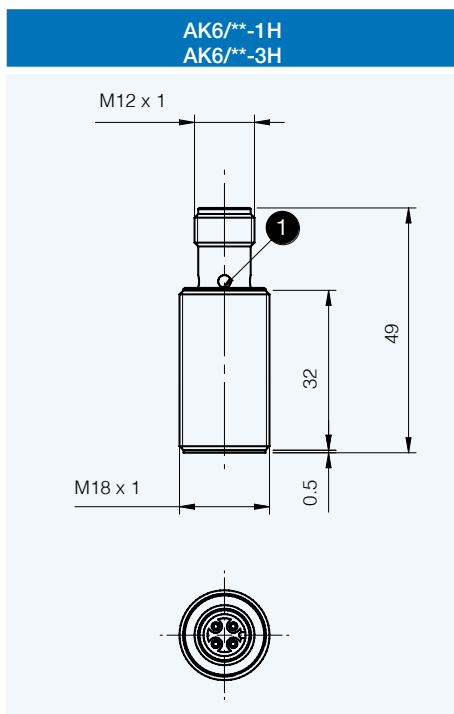


dimensions (mm)

M18 cylindrical

AK1/**-1A AK1/**-3A	AK1/**-1H AK1/**-3H	AK1/**-2A AK1/**-4A
AK1/**-2C AK1/**-4C	AK1/**-2H AK1/**-4H	AK6/**-1A AK6/**-3A

1 LED



1 LED

dimensions (mm)

accessories included

