



AT series

M30 cylindrical inductive sensors



M30 cylindrical

features

- Wide range of models: standard, long distance
- Output: cable, M12 and plug cable exit
- Models with 2, 3, and 4 wires
- ATEX models, cat. 3, available on request
- Models with complementary output (NO + NC)
- Complete protection against electrical damages



web contents



- Application notes
- Photos
- Catalogue / Manuals



code description (*)

	AT	1	/	A	P	-	1	A
series	AT	M30 inductive proximity switch						
housing	1	Standard body						
output state	A	NO output state						
	C	NC output state						
	0	NO+NC complementary output						
output logic	N	NPN logic output						
	0	2 wires version						
	P	PNP logic output						
distance	1	Shielded standard 10 mm						
	2	Unshielded standard 15 mm						
	3	Long distance shielded 15 mm						
	4	Long distance unshielded 20 mm						
connect.	A	Axial cable exit						
	B	Axial cable exit with tang						
	H	M12 plug cable exit						

(*) ATEX models available, contact our Sales Dept. for further information.

available models

4 wires standard housing

diameter	installation	distance	plug	distance (mm)	PNP/NO+NC
M30	shielded	standard	M12	10	AT1/OP-1H
	unshielded			15	AT1/OP-2H
	shielded	long distance		20	AT1/OP-3H
	unshielded				AT1/OP-4H

available models

3 wires standard housing

diameter	installation	distance	plug	distance (mm)	NPN/NO	NPN/NC	PNP/NO	PNP/NC
M30	shielded	standard	cable	10	AT1/AN-1A	AT1/CN-1A	AT1/AP-1A	AT1/CP-1A
			cable with tang		AT1/AN-1B	AT1/CN-1B	AT1/AP-1B	AT1/CP-1B
			M12		AT1/AN-1H	AT1/CN-1H	AT1/AP-1H	AT1/CP-1H
	unshielded		cable	15	AT1/AN-2A	AT1/CN-2A	AT1/AP-2A	AT1/CP-2A
			cable with tang		AT1/AN-2B	AT1/CN-2B	AT1/AP-2B	AT1/CP-2B
			M12		AT1/AN-2H	AT1/CN-2H	AT1/AP-2H	AT1/CP-2H
	shielded	long distance	cable	20	AT1/AN-3A	AT1/CN-3A	AT1/AP-3A	AT1/CP-3A
			M12		AT1/AN-3H	AT1/CN-3H	AT1/AP-3H	AT1/CP-3H
			cable		AT1/AN-4A	AT1/CN-4A	AT1/AP-4A	AT1/CP-4A
	unshielded		M12	AT1/AN-4H	AT1/CN-4H	AT1/AP-4H	AT1/CP-4H	

available models

DC 2 wires models

diameter	installation	distance	plug	distance (mm)	NO
M30	shielded	standard	cable	10	AT1/A0-1A
					AT1/A0-1H
	unshielded		M12	15	AT1/A0-2A
					AT1/A0-2H
	shielded	long distance	cable	20	AT1/A0-3A
					AT1/A0-3H
	unshielded		M12	20	AT1/A0-4A
					AT1/A0-4H



	AT*/**-1*	AT*/**-2*	AT*/**-3*	AT*/**-4*
nominal sending distance	10 mm	15 mm	15 mm	20 mm
operating distance	0...8.1 mm	0...12.1 mm	0...12.1 mm	0...16.2 mm
hysteresis	1...20%			
standard target	30 x 30 mm FE 360	45 x 45 mm FE 360	45 x 45 mm FE 360	60 x 60 mm FE 360
repeatability	5% U _b 20-30 V Ta = 23°C ± 5°C			
operating voltage	10...30 Vdc			
output type	NPN or PNP - NO or NC (3 wires models), PNP - NO + NC (4 wires models), NPN/PNP - NO (2 wires models)			
max ripple content	≤ 10%			
output current	≤ 400 mA (3...100 mA for 2 wires versions)			
output voltage drop	≤ 1V @ 400 mA (2.8 V @ 100 mA for 2 wires versions)			
no-load supply current	20 mA			
leakage current	10 µA / 0,8 mA for 2 wires versions			
switching frequency	200 Hz / 100 Hz for 2 wires versions		200 Hz / 100 Hz for 2 wires versions	
power on delay	100 ms (50 ms for 2 wires versions)			
ambient temperature range	-25...+70 °C			
temperature drift of Sr	10%			
short-circuit protection	●			
voltage reversal protection	●			
induction protection	●			
shocks and vibrations	IEC 60947-5-2 / 7.4			
weight	150 g connector, 230 g cable			
LEDs	yellow LED output state			
protection degree	IP 67 ⁽¹⁾ (EN60529)			
EMC	in conformity with the EMC Directive according to IEC 60947-5-2			
shocks and vibrations	IEC 60947-5-2			
housing material	nickel-plated brass			
active head material	PBT			
connection	cable 2 m PVC - plug M8 or M12			
tightening torque	50 Nm			

⁽¹⁾ Protection guaranteed only with plug cable well mounted.

correction factors

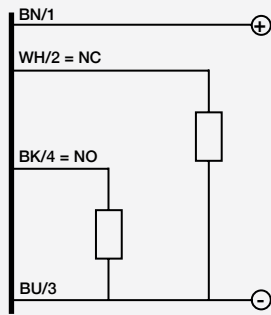
code	steel FE 360	copper	alluminium	brass	stainless steel
AT*/**-1*	1	0.35	0.45	0.50	0.75
AT*/**-2*		0.45	0.50	0.55	0.80
AT*/**-3*		0.35	0.45	0.50	0.70
AT*/**-4*		0.45	0.50	0.55	0.75



electrical diagrams of connections

4 wires versions

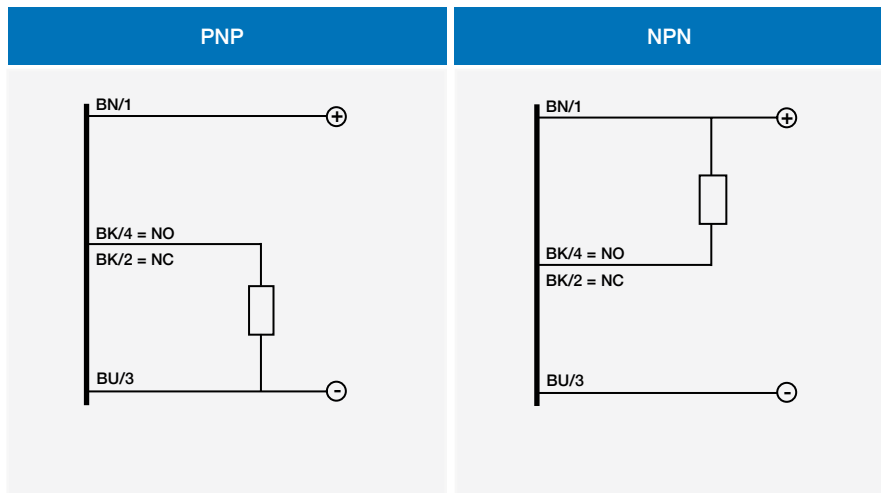
M30 cylindrical



- BN** brown
- BU** blue
- BK** black
- WH** white

electrical diagrams of connections

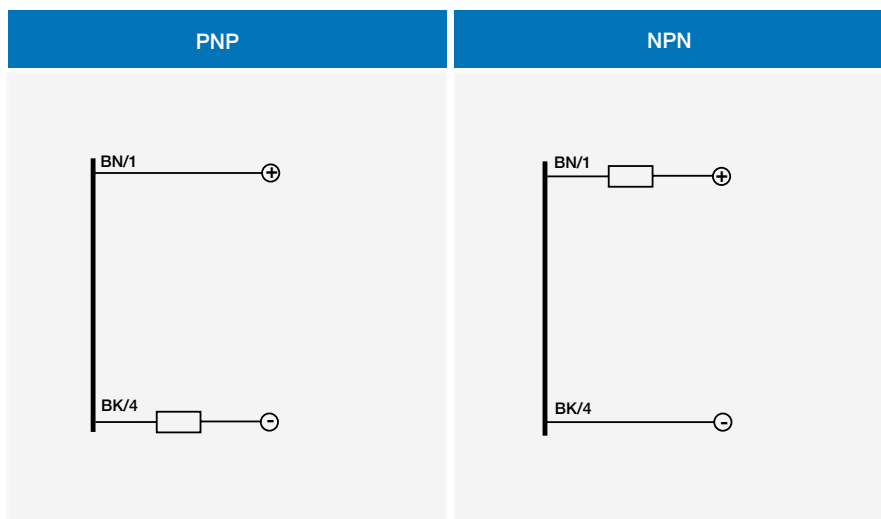
3 wires versions



- BN** brown
- BU** blue
- BK** black
- WH** white

electrical diagrams of connections

2 wires versions



- BN** brown
- BU** blue
- BK** black
- WH** white

AT

plug

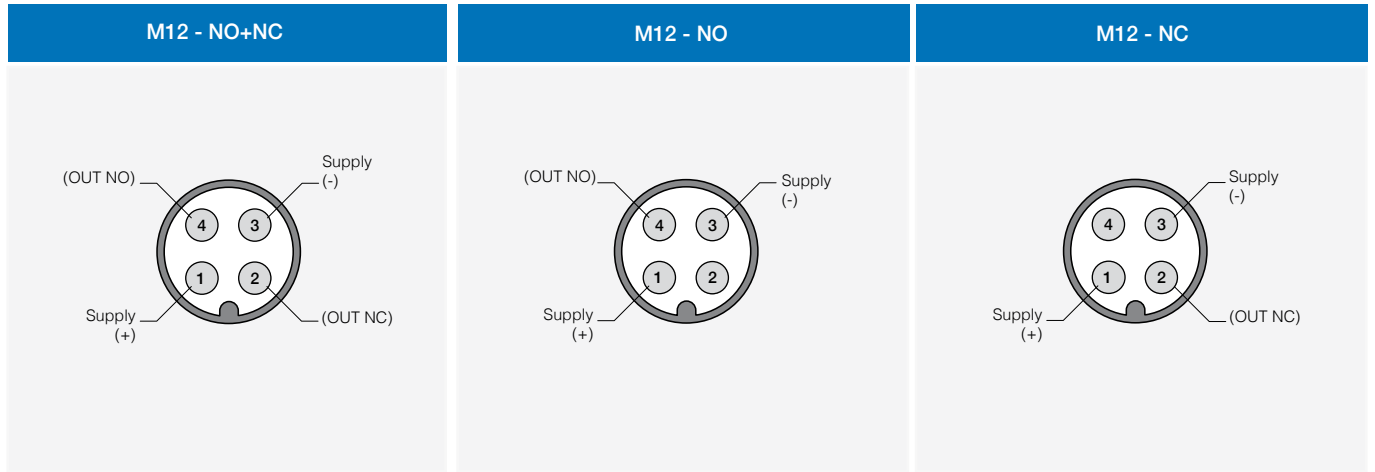
4 wires versions

plug

3 wires versions

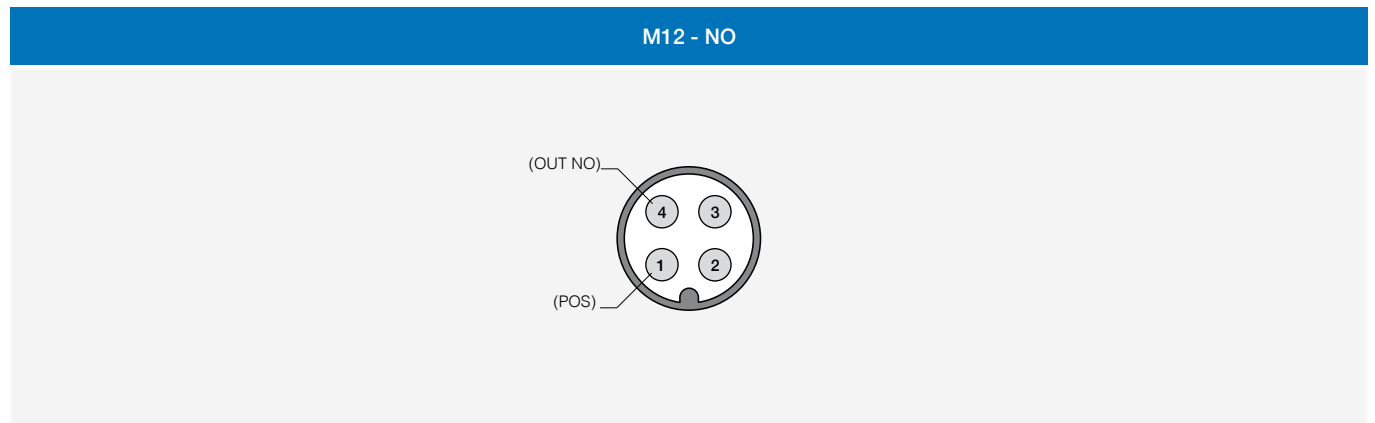


M30 cylindrical

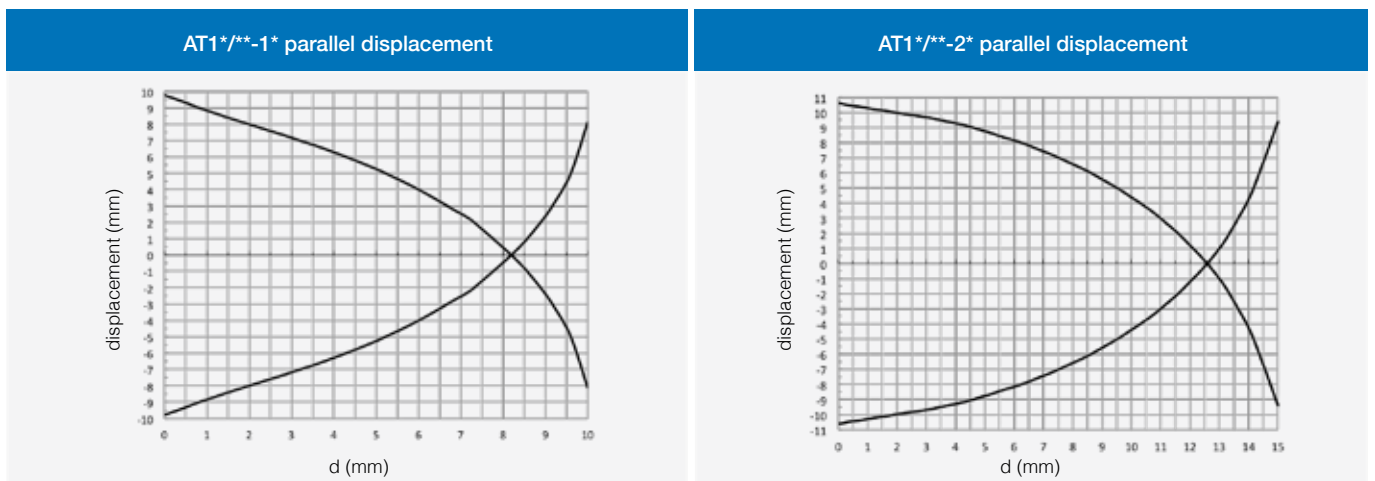


plug

2 wires versions

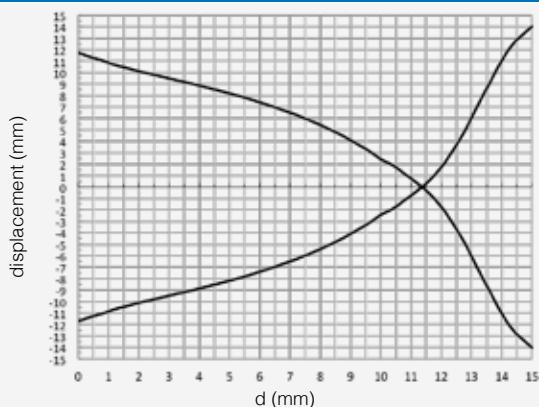


response diagram

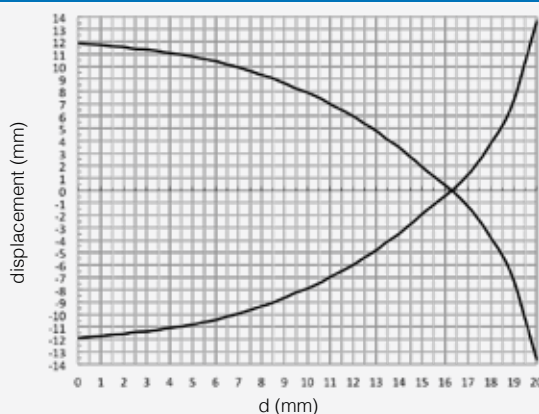


response diagram

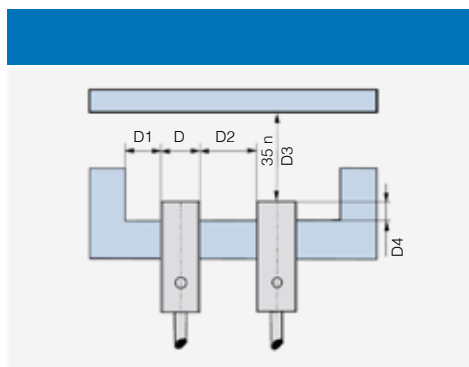
AT1/**-3* parallel displacement



AT1/**-4* parallel displacement



installation

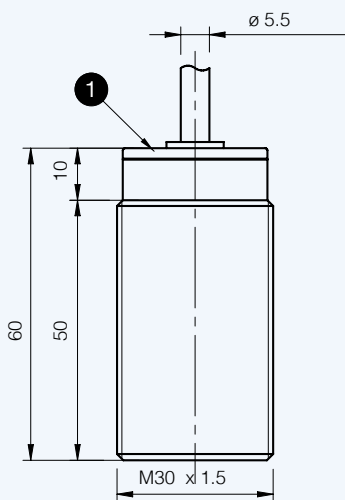


code	D4	D1	D2	D3
AT1/**-1*	≥ 0 mm	≥ 10 mm	≥ 30 mm	≥ 30 mm
AT1/**-2*	≥ 18 mm ⁽¹⁾	≥ 15 mm	≥ 45 mm	≥ 45 mm
AT1/**-3	≥ 3 mm	≥ 15 mm	≥ 40 mm	≥ 45 mm
AT1/**-4*	≥ 20 mm ⁽¹⁾	≥ 20 mm	≥ 60 mm	≥ 60 mm

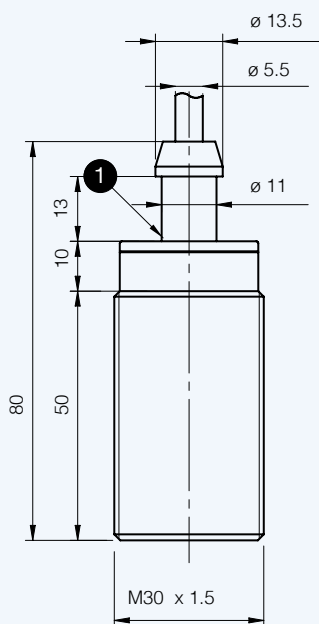
⁽¹⁾ ≥ for non magnetic materials

dimensions (mm)

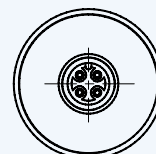
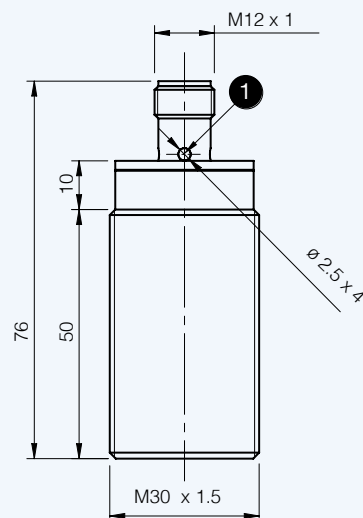
AT1/**-1A
AT1/**-3A



AT1/**-1B
AT1/**-3B

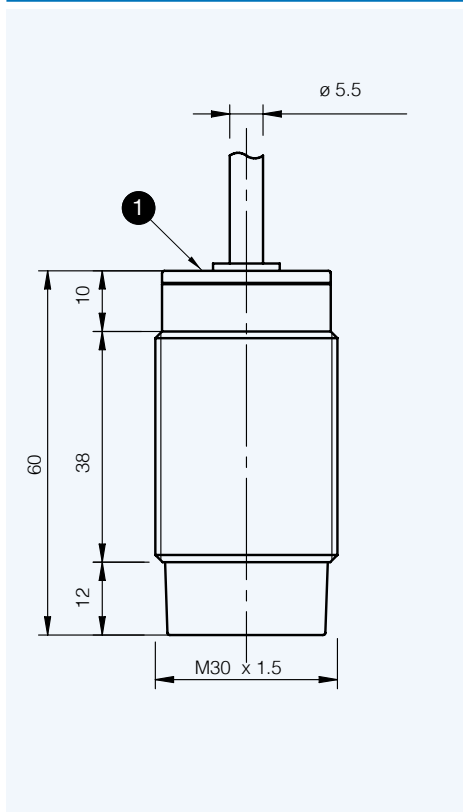


AT1/**-1H
AT1/**-3H

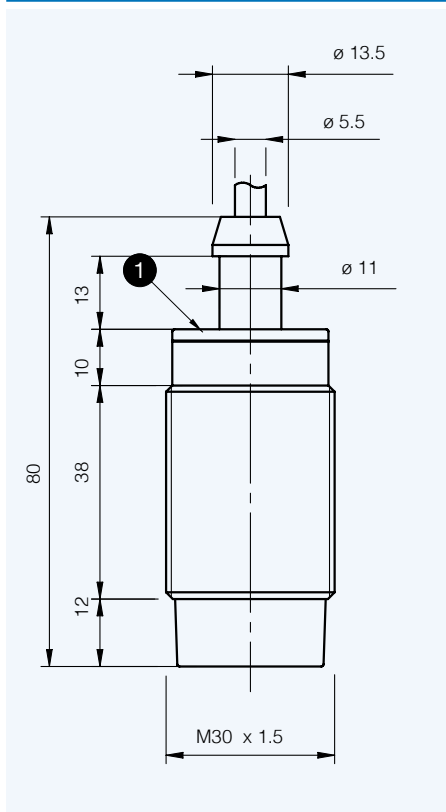




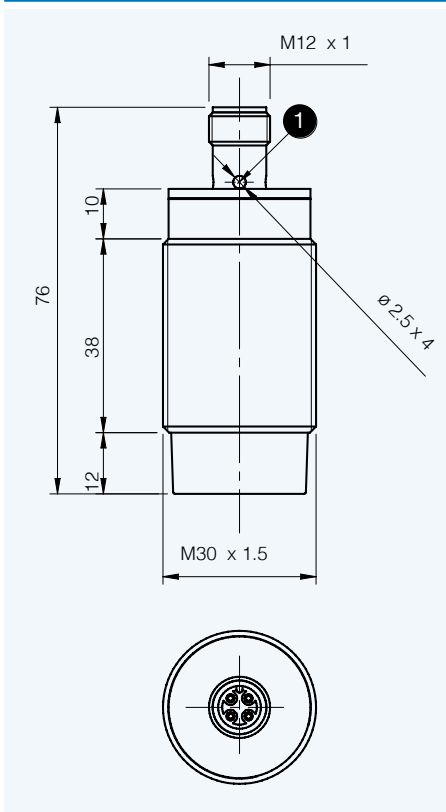
AT1/**-2A
AT1/**-4A



AT1/**-2B
AT1/**-4B



AT1/**-2H
AT1/**-4H



1 LED

dimensions (mm)

accessories included in all models

