

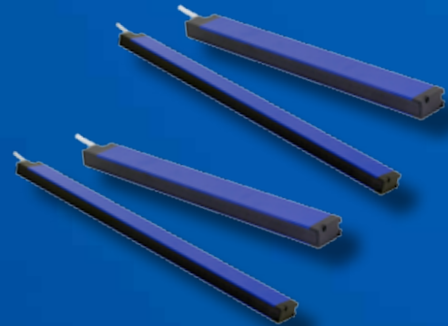


CX2 series

Area sensors with high resolution and compact housing with digital and analogue output



Area sensor
high resolution



features

- Parallel beams and floating crossbeams with variable amplitude
- Synchronization by cable. Pitch 5, 10 and 20mm
- Control height up 480mm (pitch 5mm) and up 960mm (pitch 10mm and 20mm)
- Maximum operating distance up to 3m (for 5mm pitch) and 6m (for 10mm and 20 pitch)
- Digital outputs NPN and PNP ; analogue current output (4...20mA) and analogue voltage output (0..10V), mix outputs : digital PNP and analogue voltage output (0..10V)
- Adjustment by teach-in , 2 levels of adjustment
- Blanking function . Available analogue versions TOP BEAM

web contents



- Application notes
- Photos
- Catalogue / Manuals



code description

	CX2	E	0	R	B	/	05	-	016	V	
series	CX2	Area Sensor cubic section									
emitter	E	Emitter									
emitter type	0	Emitter with I/O standard configuration									
receiver	R	Receiver									
receiver type	A	Receiver with two analogue outputs (voltage 0...10 V and current 4...20 mA)									
	B	Receiver with two digital outputs (NPN and PNP)									
	F	Receiver with one digital output PNP and one analogue output (voltage 0...10 V)									
pitch	05	Pitch 5 mm									
	10	Pitch 10 mm									
	20	Pitch 20 mm									
height	016	Controlled height 160 mm									
	032	Controlled height 320 mm									
	048	Controlled height 480 mm									
	064	Controlled height 640 mm									
	080	Controlled height 800 mm									
output	096	Controlled height 960 mm									
	V	Output cable length 220 mm with M12 pigtail									
special function	TP	Analog reading last led TOP BEAM (CX2RA)									

available models

Area sensor
high resolution

OUTPUT			INPUT			beams number	pitch (mm)	plot (P/I) ⁽¹⁾	working range (m)	detection height	KIT (E + R)	
state	logic	output	blanking	test	adjustment							
NO/NC	NPN + PNP					33	5	I/P	0.3...3	160 mm	CX2E0RB/05-016V	
						65		P		320 mm	CX2E0RB/05-032V	
						97				480 mm	CX2E0RB/05-048V	
						17	10	I/P	0.3...6	160 mm	CX2E0RB/10-016V	
						33				320 mm	CX2E0RB/10-032V	
						49				480 mm	CX2E0RB/10-048V	
						65				640 mm	CX2E0RB/10-064V	
						81				800 mm	CX2E0RB/10-080V	
						97				960 mm	CX2E0RB/10-096V	
						9	20	P	0.3...6	160 mm	CX2E0RB/20-016V	
						17				320 mm	CX2E0RB/20-032V	
						25				480 mm	CX2E0RB/20-048V	
						33				640 mm	CX2E0RB/20-064V	
						41				800 mm	CX2E0RB/20-080V	
						49				960 mm	CX2E0RB/20-096V	
	33	analog voltage output + analog current output	2	●	●	Teach-In	33	5	P	0.3...3	160 mm	CX2E0RA/05-016V
	65						320 mm				CX2E0RA/05-032V	
	97						480 mm				CX2E0RA/05-048V	
	17						10	P	0.3...6	160 mm	CX2E0RA/10-016V	
	33									320 mm	CX2E0RA/10-032V	
	49									480 mm	CX2E0RA/10-048V	
	65									640 mm	CX2E0RA/10-064V	
	81									800 mm	CX2E0RA/10-080V	
	97									960 mm	CX2E0RA/10-096V	
	9						20	P	0.3...6	160 mm	CX2E0RA/20-016V	
	17									320 mm	CX2E0RA/20-032V	
	25									480 mm	CX2E0RA/20-048V	
	33									640 mm	CX2E0RA/20-064V	
	41									800 mm	CX2E0RA/20-080V	
	49									960 mm	CX2E0RA/20-096V	
33	PNP + analog voltage output					33	5	I/P	0.3...3	160 mm	CX2E0RF/05-016V	
65						P		320 mm		CX2E0RF/05-032V		
97								480 mm		CX2E0RF/05-048V		
17						10	I/P	0.3...6	160 mm	CX2E0RF/10-016V		
33									320 mm	CX2E0RF/10-032V		
49									480 mm	CX2E0RF/10-048V		
65									640 mm	CX2E0RF/10-064V		
81									800 mm	CX2E0RF/10-080V		
97									960 mm	CX2E0RF/10-096V		
9						20	P	0.3...6	160 mm	CX2E0RF/20-016V		
17									320 mm	CX2E0RF/20-032V		
25									480 mm	CX2E0RF/20-048V		
33									640 mm	CX2E0RF/20-064V		
41									800 mm	CX2E0RF/20-080V		
49									960 mm	CX2E0RF/20-096V		

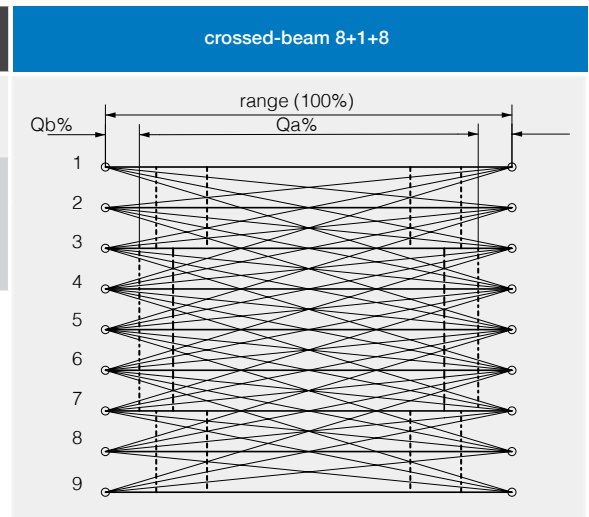
⁽¹⁾Plot: P = parallel beams, I = crossed beams

CX2E*R*/**_***V	
nominal sensing distance	0.1 ... 3 m (beam pitch 5 mm) 0.3 ... 6 m (beam pitch 10 mm)
emission	850 nm (beam pitch 5mm) 880 nm (beam pitch ≥10mm)
operating voltage	16.8...30 Vdc
ripple	< 1.2 Vpp
power consumption (receiver)	1...2.5 W
power consumption (emitter)	1...3 W
output	1 x PNP, 1 x NPN (CX2E0RB); 1 x analog voltage output, 1 x analog current output (CX2E0RA); 1 x PNP, 1 X analog voltage output (CX2E0RF)
output current	< 100 mA
output voltage drop	< 1.5 V @ 100 mA
minimum load resistance	280 Ω
leakage current	≤ 10 µA
tolerated capacitive load	< 0.7 µF
power on delay	< 3 sec ⁽¹⁾
Teach-In	(0.5 x N beams) sec
response time	((0.2 x (N beams - 1)) + 1) x 2 ms
operating temperature	-10°C...55°C
storage temperature	-25°C...60°C
artificial light rejection	IEC EN 60947-5-2
ambient light rejection	IEC EN 60947-5-2
IP mechanical protection	IP67
humidity	95% max (no condensation)
vibrations	IEC EN 60947-5-2
shocks	IEC EN 60947-5-2
cable length	< 20 m
connectors / cables	1 x M12, 4 poles, male (CX2E), 1 x M12, 8 poles, male (CX2R)
housing material	painted aluminium RAL5002
optic materials	PMMA

⁽¹⁾ Power on delay with blanking function: (1 x N beams) sec

MDO (Minimum Detectable Object)

beams	step (mm)	resolution ⁽¹⁾ (mm)	qa 17 beams	qa 32 beams
crossed ⁽²⁾	5	2,5	-	93%
	10	5	93%	
parallel	5	5	-	-
	10	10		
	20	20		



⁽¹⁾ = resolution detected with Teach Gross

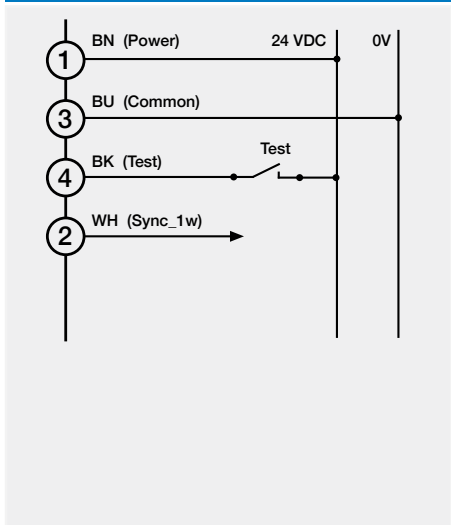
⁽²⁾ = the optics cross beam allows detection of objects with a very small diameter or very thin (such as a sheet of paper or an envelope). For those targets with small diameter, the detecting resolution is less effective exactly in the centre between Emitter and Receiver (see Resolution) as well as at the ends of detection area (near to the sensors); the mentioned detection is obtained in the central area Qa with a width equal to a certain % of the distance between the 2 sensors.

plugs

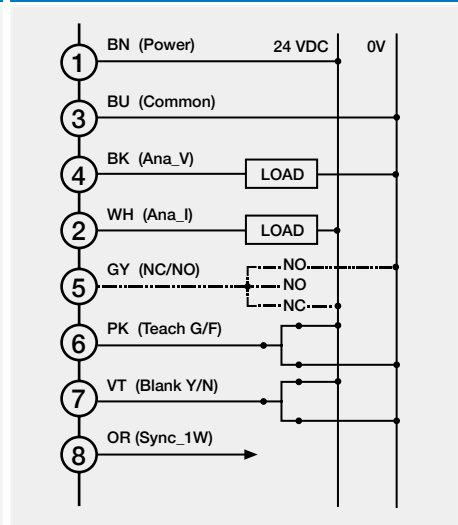
CX2E0/**-**-** emitter with test input	CX2RB/**-**-** receiver with PNP and NPN output
CX2RA/**-**-** receiver with analog output	CX2RF/**-**-** receiver PNP with analog output V

electric diagrams of the connections

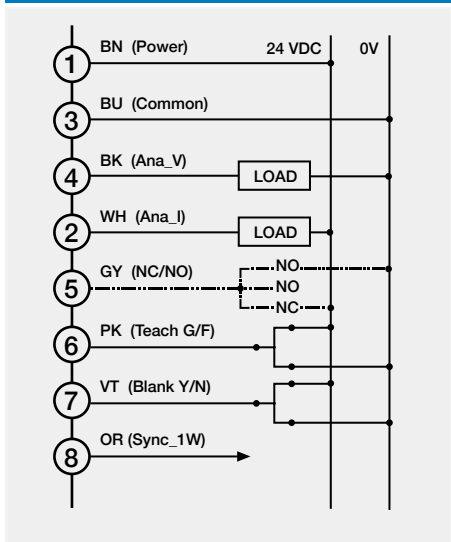
emitter with test input



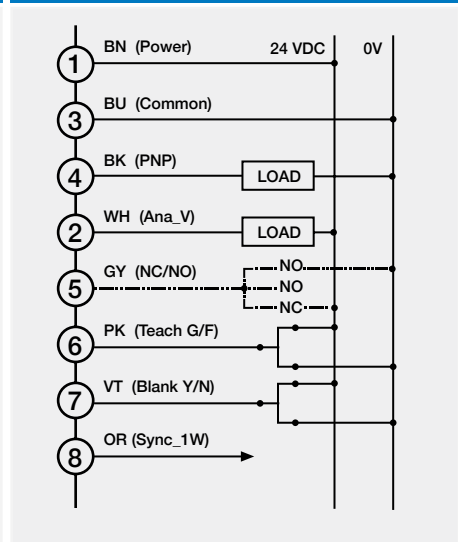
receiver with PNP and NPN output



receiver with analog output



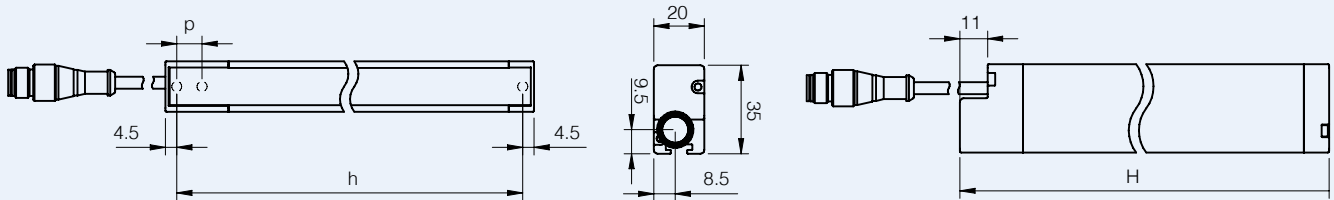
receiver PNP with analog output V



- G** coarse calibration
- BK** black
- BN** brown
- RD** red
- PK** pink
- OR** orange
- F** fine calibration
- BU** blue
- GY** gray
- WH** white
- VT** violet

dimensions (mm)

CX2/**_**



H (barrier height) = h (controlled height) + 9 mm

h (mm)	160	320	480	640	800	960
H (mm)	169	329	489	649	809	969

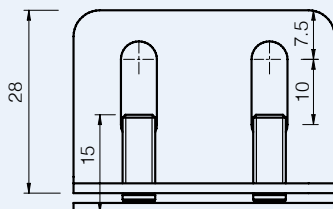
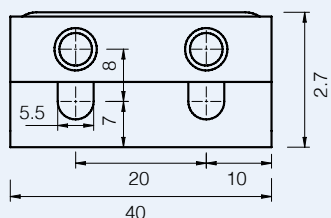


accessories

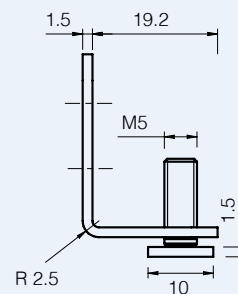
included with all models

Area sensor
high resolution

accessories fixing kit ST151



T insert, two M5 nuts and split washers included



L bracket

code	description
ST4V S	4 pcs. kit antivibration basement for barriers with 150 mm protected height
ST8V S	8 pcs. kit antivibration basement for barriers with protected height from 1,500 mm to 1,050 mm



accessories

not included

code	description
CD12M/0B-050A1	power connector M12, 4 wires, female, axial, cable 5 m PVC
CD12M/0B-100A1	power connector M12, 4 wires, female, axial, cable 10 m PVC
CD12M/0B-150A1	power connector M12, 4 wires, female, axial, cable 15 m PVC
CD12M/0B-050A5	power connector M12, 4 wires, female, axial, cable 5 m PUR
CD12M/0B-100A5	power connector M12, 4 wires, female, axial, cable 10 m PUR
CD12M/0B-150A5	power connector M12, 4 wires, female, axial, cable 15 m PUR
CD12M/0X-050A5	power connector M12, 8 wires, female, axial, cable 5 m PUR
CD12M/0X-100A5	power connector M12, 8 wires, female, axial, cable 10 m PUR
CD12M/0X-150A5	power connector M12, 8 wires, female, axial, cable 15 m PUR