



COBALT HF™ RFID CONTROLLER with PROFIBUS

HF-CNTL-PBS-02

FEATURES & BENEFITS

PROFIBUS DP connectivity for direct communication with industrial networks.

COBALT HF™ architecture including C-MACRO™ command software for easy integration.

HF 13.56MHz Controller supports multiple RFID air protocol standards including ISO15693 and ISO14443A to work with many tag types and vendors.

Full range of compatible antennas support read/write range from 5 to 50cm (2-20").

Direct-mount antenna installation eliminates cabling restrictions.

Rugged M12 Connectors and industrial design assure protection from moisture and dust in harsh environments.

Easy to read LED indicators provide helpful diagnostics for power, RF signal, communications, and Profibus status.



Rugged, highly connected COBALT HF™ RFID systems provide easily integrated and economical solutions for Auto-ID on the factory floor. Dust and moisture protection assure years of reliable operation in harsh environments.

PROFIBUS™ brings each RFID read/write station directly in touch with the industrial communications network.

25+ years of experience with RFID systems for manufacturing are behind every EMS system, supported by Datalogic around the world.

COMPATIBLE ANTENNAS

- 10x10 cm: HF-ANT-1010-01
- 20x20 cm: HF-ANT-2020-01
- 30x30 cm: HF-ANT-3030-01
- 7x50 cm: HF-ANT-0750-01

COMPATIBLE TAGS

- EMS LRP-S Series
- EMS HMS Series
- EMS T-Series
- EMS I-Series
- I-Code™ SLi
- Mifare™ Classic
- Texas Instruments Tag-It™
- Fujitsu
- Infineon

RFID AIR PROTOCOLS

- ISO15693
- ISO14443A

www.ems-rfid.com

AMERICAS
3000 Earhart Ct., Ste 135
Hebron KY 41048
Inside USA Phone: 1-800-849-5358
Outside USA Phone: 1-859-689-7000

EMEA and ROW
Via S. Vitalino 13, 40012
Lippo di Calderara di Reno, BO Italy
Phone: +39 051 314 7011

ESCORT MEMORY SYSTEMS BY
DATALOGIC™

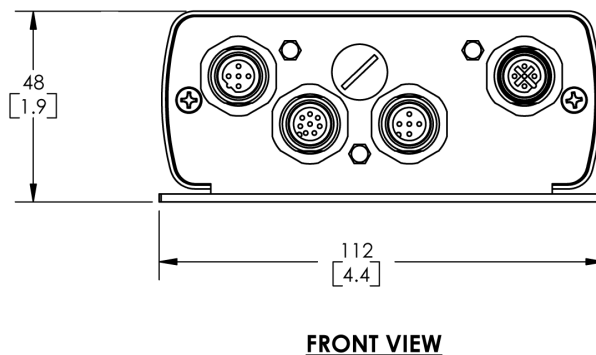
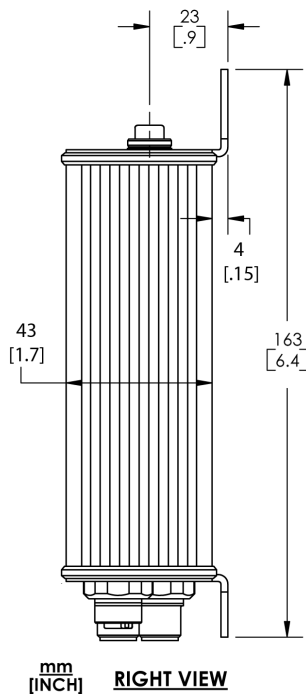
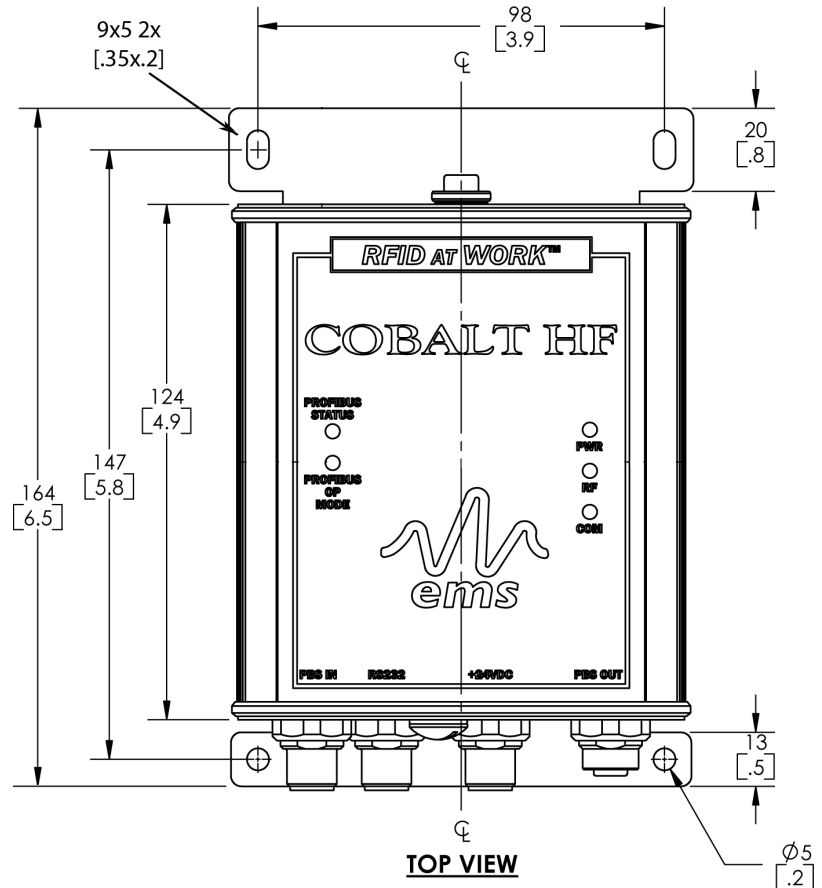


HF-CNTL-PBS-02

DIMENSIONS mm[in]

SPECIFICATIONS

Dimensions:	164x112x48mm
Power Supply:	10-30VDC
Power Consumption:	Max 12 Watts
Protection Class:	IP66
Shock Resistance:	EN 60068-2-27 30G; 11ms 3 shocks on each axis
Vibration Resitance:	EN 60068-2-6 1.5mm; 10 to 55Hz; 2 hrs ea axis
Operating Temperature:	-20 to 49 C (-4 to 120F)
Storage Temperature:	-40 to 85 C (-40 to 185F))
Humidity:	100% non condensing
RF Power Output:	1 Watt
Air Protocols:	ISO15693, ISO14443A
Connectors:	M12 (IP66)
Compliance:	FCC, CE, TELEC
Status LED's:	Power, Comm, RF On, Profibus Status, Mode.
Profibus Role:	Slave
BAUD Rates:	Auto Detect up to 12Mb
Profibus Version:	Profibus DP



PROFIBUS CONNECTION CABLE

CBL-1438-01, -02, -03, -06, -30
(-XX = lengths in meters)

datasheet revision 2008-01

Product and Company names and logos referenced may be either trademarks or registered trademarks of their respective companies. We reserve the right to make modifications and improvements.

ESCORT MEMORY SYSTEMS BY
DATALOGIC™