



VBR series

Vibrations and inclination sensor



Vibrations and inclination

features

- M18 housing
- AISI316L stainless steel housing (front included)
- IP67 protection degree



web contents



- Application notes
- Photos
- Catalogue / Manuals



code description

VBR 1 / D 0 - 3 A

series	VBR	Vibrations and inclination sensor
housing	1	M18 short housing
exit	D	RS485 programming
	0	RS485 + analogue output
	3	Full AISI316L housing
conness.	A	Cable exit
	V	M12 pigtail cable exit

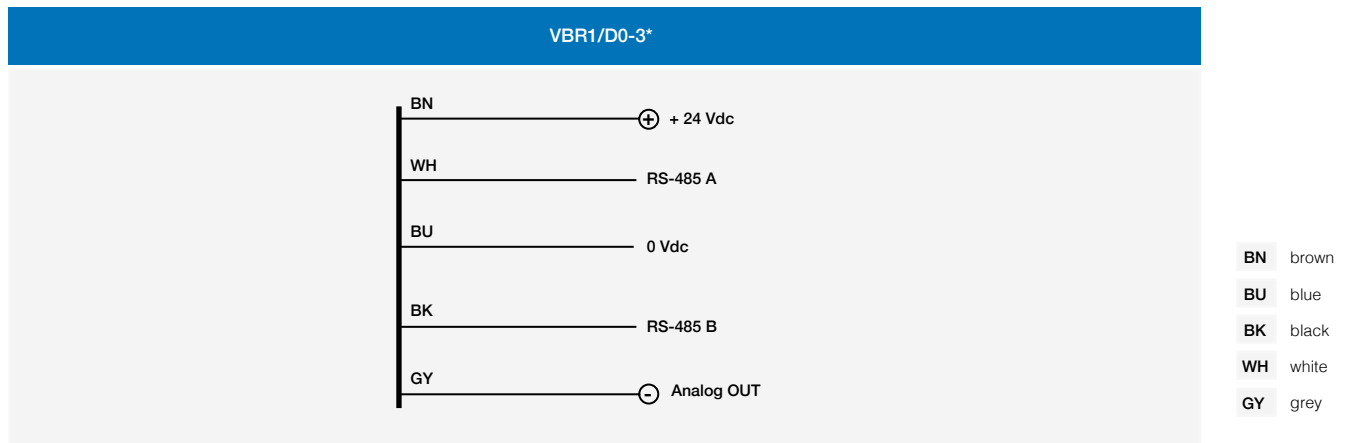


technical specifications

Vibrations and inclination

VBR1/D0-3*	
operating voltage	24 Vdc +/- 20%
power consumption	< 1 W
operative range	+/- 16 g (MAX)
resolution	15.62 mg @ +/- 2 g 31.25 mg @ +/- 4 g 62.50 mg @ +/- 8 g 125 mg @ +/- 16 g
detection axes	3 (X, Y, Z)
frequency range	0...400 Hz
technology	MEMS (Micro Electro-Mechanical Systems)
digital output	RS-485 (addressable) 57600 Baud rate - 1 bit stop - parity
resolution digital output	16 bit @ RS-485 (complementary to 2) 12 bit @ analogue output
voltage analogue output	0..5 V / 0..10 V (programmable)
current analogue output	4..20 mA / 0..20 mA / 0..24 mA (programmable)
load resistor (voltage)	1k...1M Ohm
load resistor (current)	100...500 Ohm
humidity	< 80 % without freeze
temperature range	-25° C...+ 70°C
storage temperature	-30°...+90°C without freeze
electrical protections	polarity reversal transient
protection degree	IP 67 (EN60529)
housing material	AISI316L PA12
connections	cable 5 poles pig Tail M12 5 poles
dimensions	M18
weight	100 gr

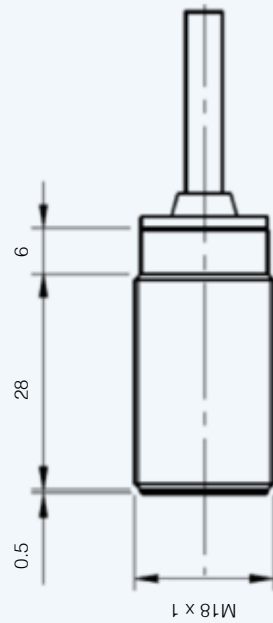
electrical diagrams of connections



VBR

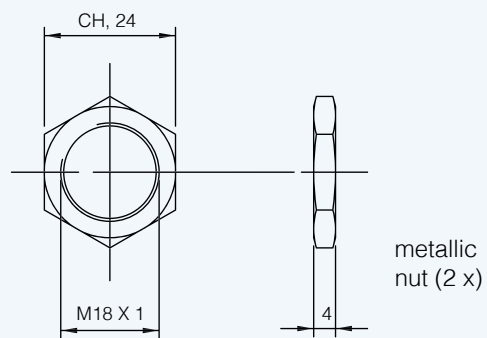
dimensions (mm)

VBR1/D0-3*



dimensions (mm)

accessories included

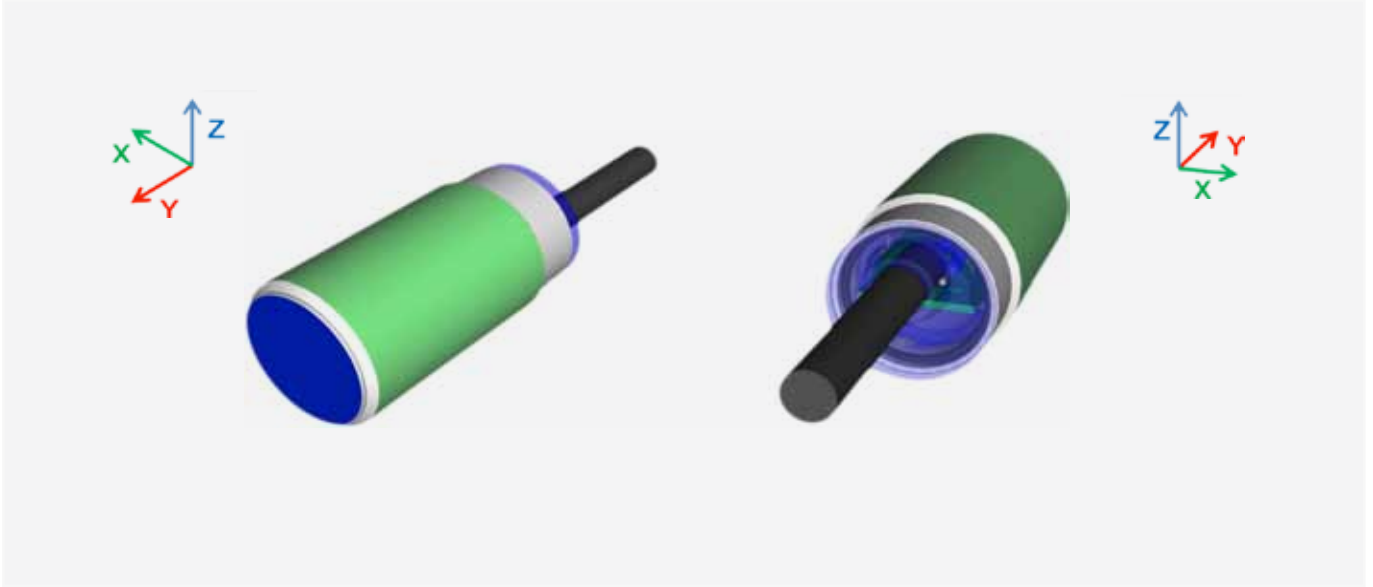


Vibrations and
inclination




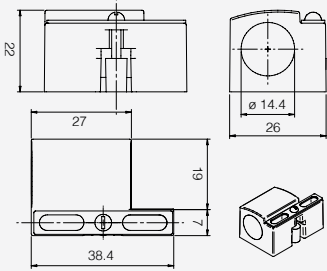
axes directions

Vibrations and inclination


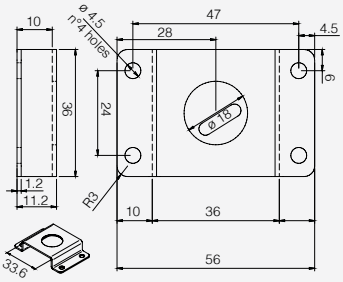


accessories

bracket ST 18 - S

product	to be used with	dimensions (mm)	description / installation
	VBR series		fixing bracket for M18 sensors

bracket ST 18 - V

product	to be used with	dimensions (mm)	description / installation
	VBR series		fixing bracket for M18 sensors

connection cables

CD12M/0H-050A5 (PUR, 5 m) **CD12M/0H-100A5** (PUR, 10 m)
CD12S/0H-050A1 (PVC, shielded, 5 m) **CD12S/0H-100A1** (PVC, shielded, 10 m)

VBR