



VM series

Cylindrical M12 in AC inductive sensors



Cylindrical M12 in AC

features

- Output: cable and M12 plug cable exit
- Models with 2 wires
- IP67 protection degree
- Multivoltage 20 ...253 Vac



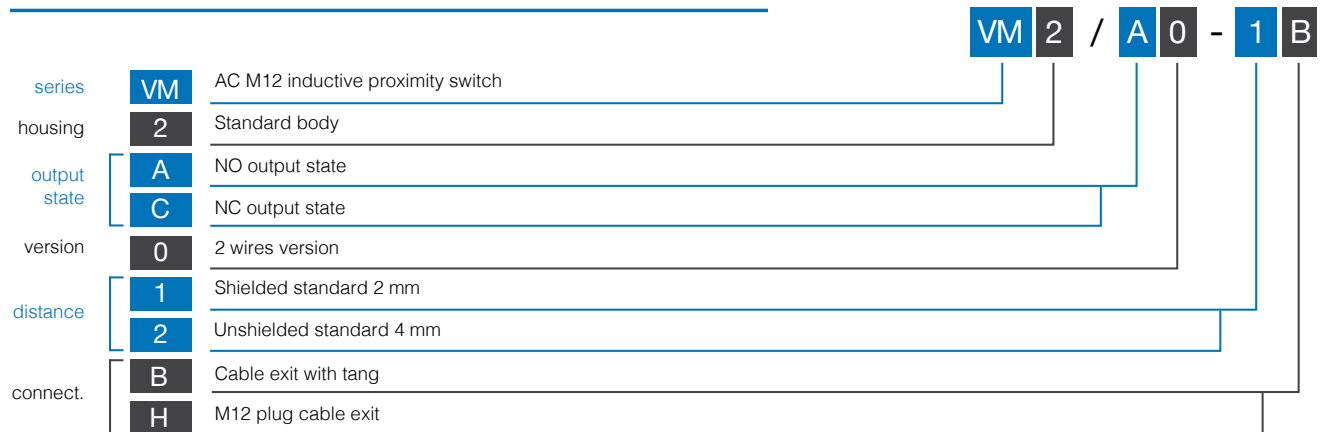
web contents



- Application notes
- Photos
- Catalogue / Manuals





code description



available models

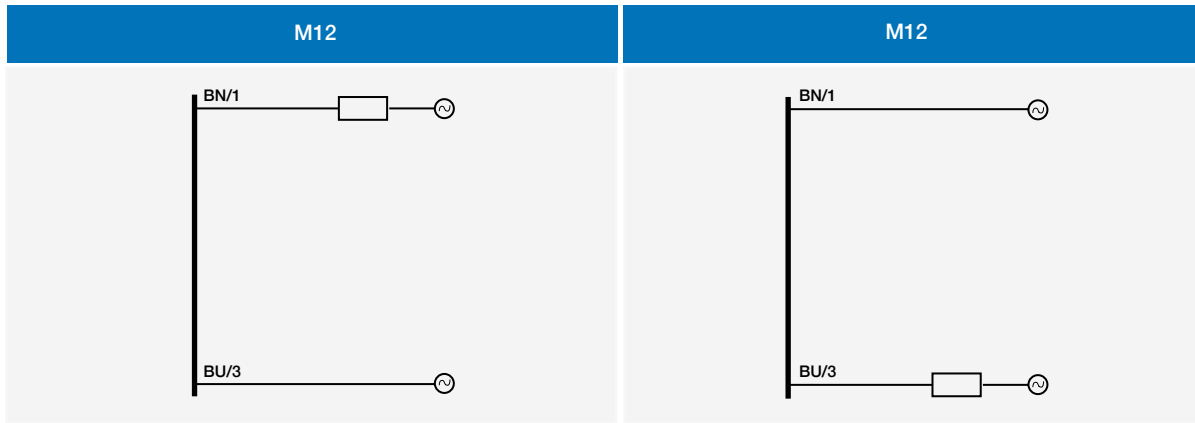
diameter	installation	distance	plug	distance (mm)	NO	NC
M12	shielded	standard	cable with tang	2	VM2/A0-1B	VM2/C0-1B
			M12		VM2/A0-1H	VM2/C0-1H
	unshielded		cable with tang	4	VM2/A0-2B	VM2/C0-2B
			M12		VM2/A0-2H	VM2/C0-2H

	VM2/**-1*	VM2/**-2*
		
nominal sensing distance S_n	2 mm	4 mm
operating distance	0 ... 1.6 mm	0 ... 3.2 mm
hysteresis	1 ... 20%	
standard target	12x12 mm FE360	
repeatability	5%	
operating voltage	20 ... 253 Vac – 50/60 Hz	
inrush current	7A (Ton = 10 ms)	
output current	5 ... 300 mA RMS	
output type	TRIAC – NO or NC	
leakage current	1 mA RMS max.	
switching frequency	25 Hz	
power on delay	200 ms	
ambient temperature range	-25° ... +70°C	
temperature drift of Sr	10% Sr	
short-circuit protection	-	
LEDs	yellow (output energized)	
protection degree	IP 67 ⁽¹⁾	
EMC	in conformity with the EMC Directive according to IEC 60947-5-2	
shocks and vibrations	IEC 60947-5-2	
housing material	nickel-plated brass	
active head material	PBT	
connection	cable 2 m PVC - plug M12	
weight	30 g M12 connector / 100 g cable	
tightening torque	10 Nm	

⁽¹⁾ Protection guaranteed only with plug cable well mounted

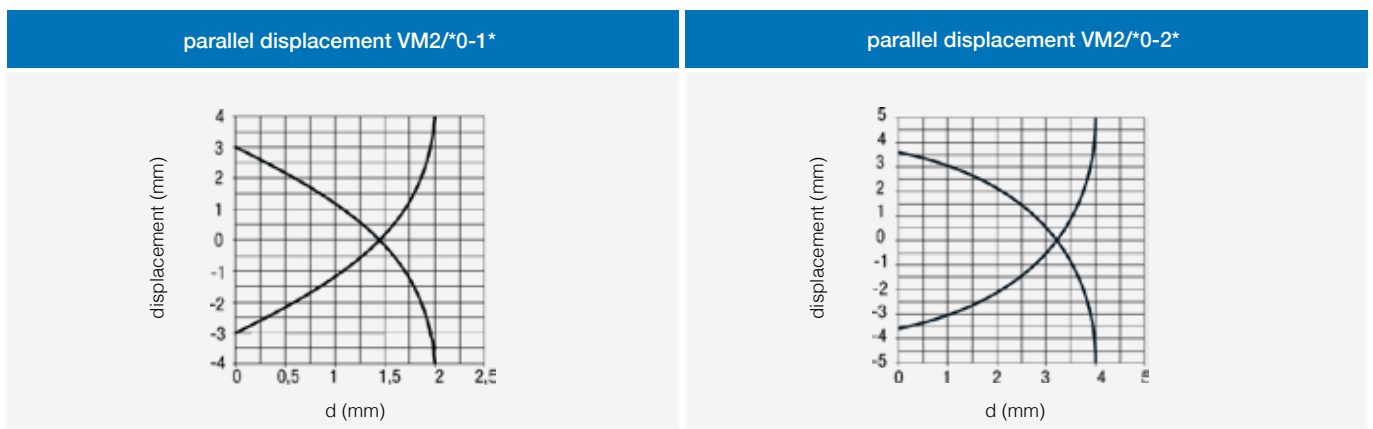
correction factors

code	steel FE 360	copper	alluminium	brass	stainless steel
VM2/**-1*	1	0.40	0.50	0.55	0.75
VM2/**-2*		0.45		0.60	0.80

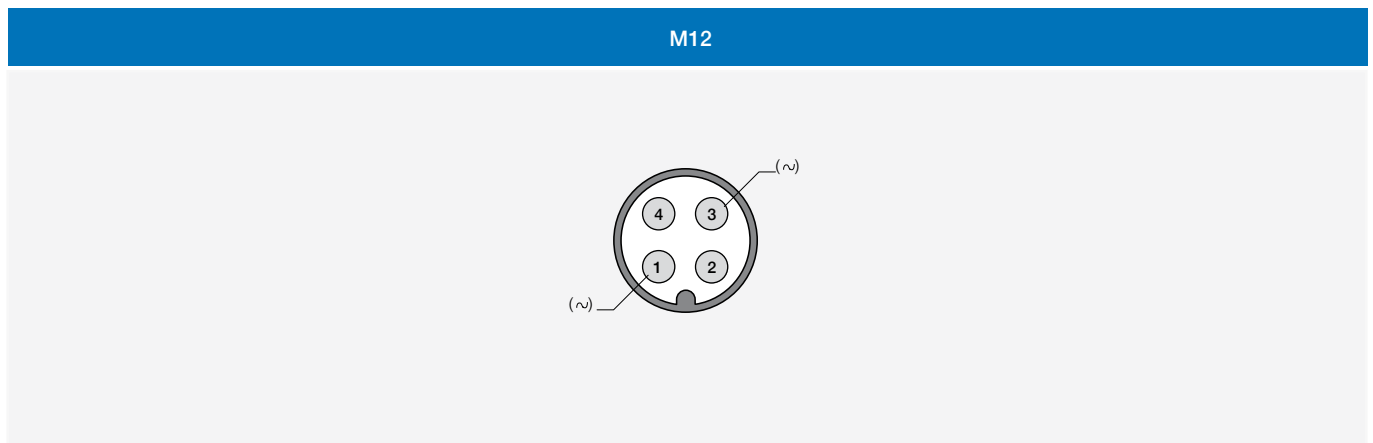


- BN** brown
- BU** blue
- BK** black
- WH** white

response diagram



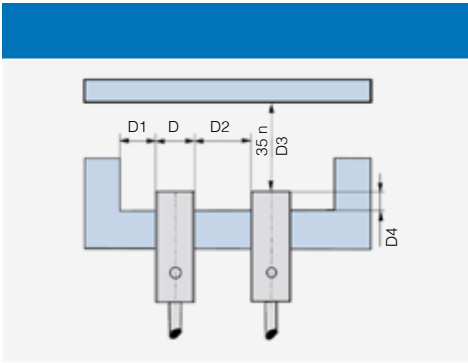
plug





installation

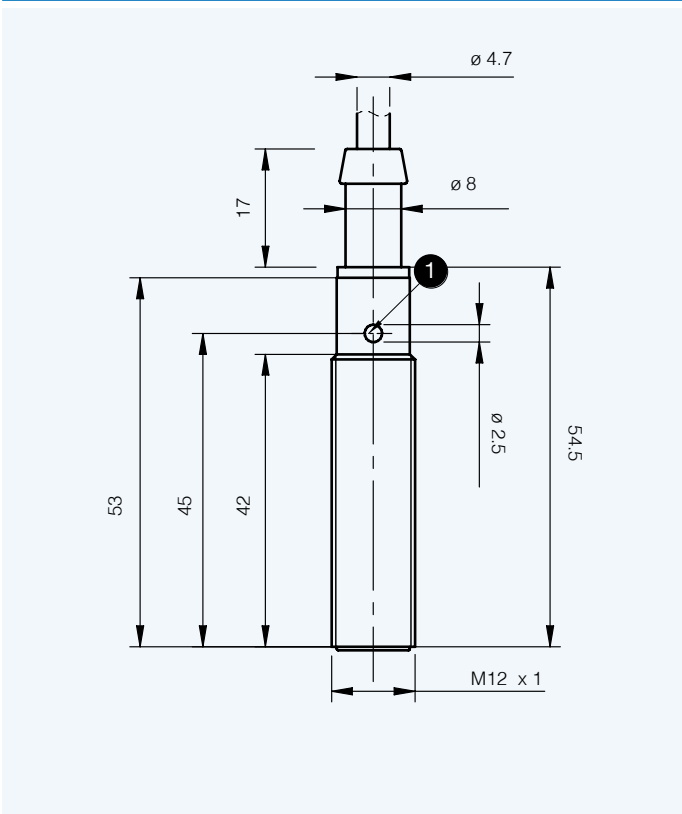
Cylindrical M12 in AC



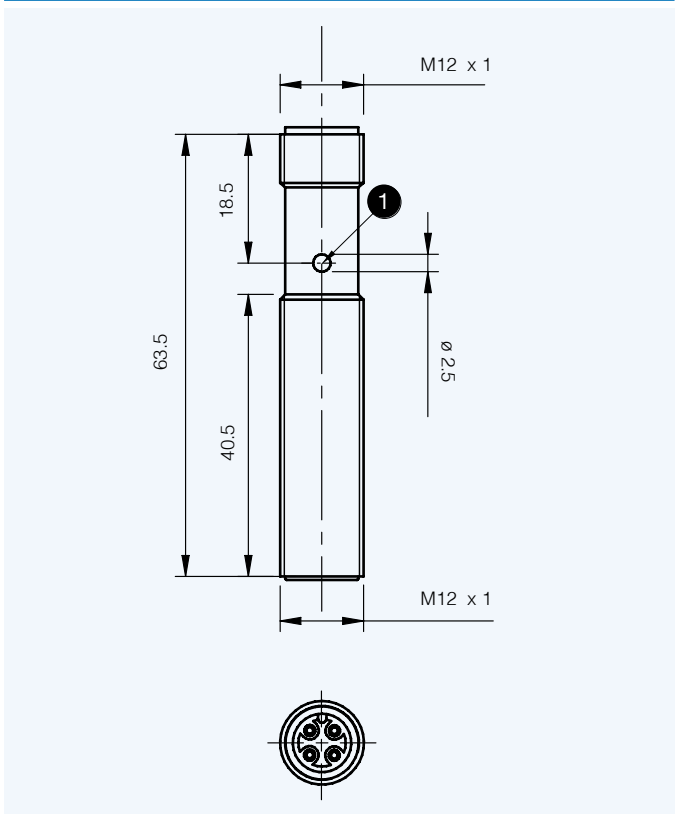
code	D4	D1	D2	D3
VM2/**-1*	≥ 1.2 mm	≥ 2 mm	≥ 12 mm	≥ 6 mm
VM2/**-2*	≥ 5 mm	≥ 4 mm	≥ 24 mm	≥ 12 mm

dimensions (mm)

VM2/**-1B



VM2/**-1H

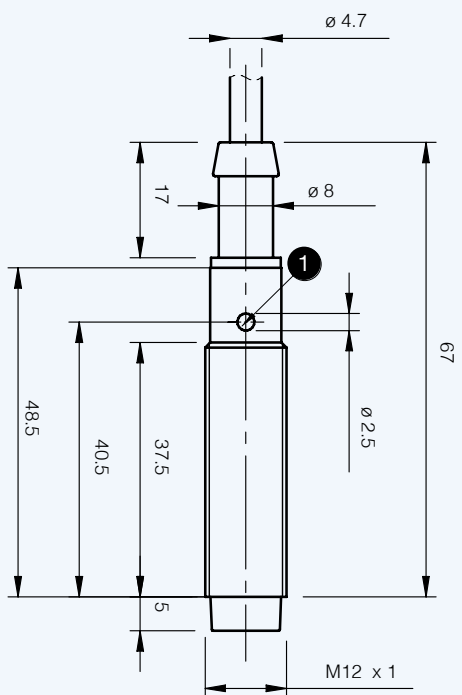


1 LED

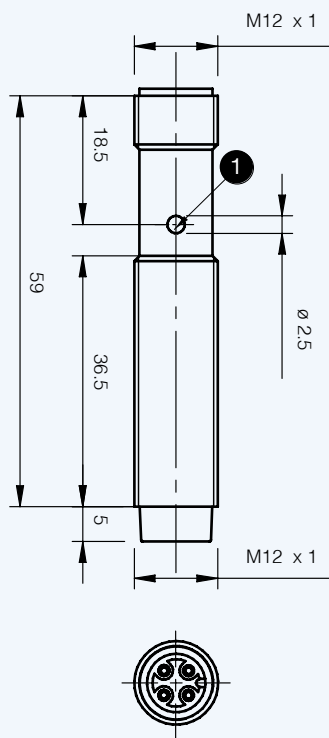
VM



VM2/**-2B

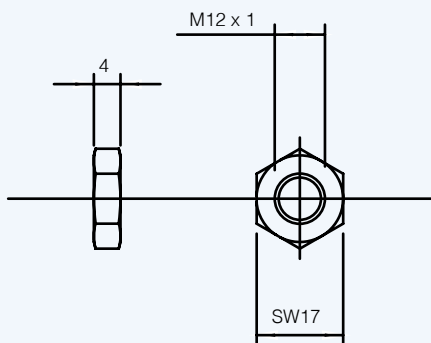


VM2/**-2H



dimensions (mm)

accessories included in all M12 models



metallic
nut (2 x)