



PowerScan[®] D8530 Family



Quick Reference Guide

Datalogic Scanning, Inc.
959 Terry Street
Eugene, Oregon 97402
USA
Telephone: (541) 683-5700
Fax: (541) 345-7140

An Unpublished Work - All rights reserved. No part of the contents of this documentation or the procedures described therein may be reproduced or transmitted in any form or by any means without prior written permission of Datalogic Scanning, Inc. or its subsidiaries or affiliates ("Datalogic" or "Datalogic Scanning"). Owners of Datalogic products are hereby granted a non-exclusive, revocable license to reproduce and transmit this documentation for the purchaser's own internal business purposes. Purchaser shall not remove or alter any proprietary notices, including copyright notices, contained in this documentation and shall ensure that all notices appear on any reproductions of the documentation.

Should future revisions of this manual be published, you can acquire printed versions by contacting your Datalogic representative. Electronic versions may either be downloadable from the Datalogic website (www.scanning.datalogic.com) or provided on appropriate media. If you visit our website and would like to make comments or suggestions about this or other Datalogic publications, please let us know via the "Contact Datalogic" page.

DISCLAIMER

Datalogic has taken reasonable measures to provide information in this manual that is complete and accurate, however, Datalogic reserves the right to change any specification at any time without prior notice. Datalogic is a registered trademark of Datalogic S.p.A. in many countries and the Datalogic logo is a trademark of Datalogic S.p.A. all licensed to Datalogic Scanning, Inc. All other trademarks and trade names referred to herein are property of their respective owners.

CONTENTS

Updates and Language Availability	iv
PowerScan® D8530 family Description	1
Using PowerScan® D8530 family	2
Indicators	3
Setup	3
Connections	4
Interface Selection	7
Wedge Keyboard Nationality	8
USB Keyboard Nationality	9
Reading Parameters	10
Default Configuration	11
Operating Test	13
Technical Features	14
Service and Support	18
Warranty	18
Patents	18
Compliance	19

UPDATES AND LANGUAGE AVAILABILITY

UK/US

The latest drivers and documentation updates for this product are available on Internet.

Log on to: www.scanning.datalogic.com

I

Su Internet sono disponibili le versioni aggiornate di driver e documentazione di questo prodotto. Questo manuale è disponibile anche nella versione italiana.

Collegarsi a: www.scanning.datalogic.com

F

Les versions mises à jour de drivers et documentation de ce produit sont disponibles sur Internet. Ce manuel est aussi disponible en version française.

Cliquez sur: www.scanning.datalogic.com

D

Im Internet finden Sie die aktuellsten Versionen der Treiber und Dokumentation für dieses Produkt. Die deutschsprachige Version dieses Handbuches ist auch verfügbar.

Adresse : www.scanning.datalogic.com

E

En Internet están disponibles las versiones actualizadas de los drivers y documentación de este producto. También está disponible la versión en español de este manual.

Dirección Internet: www.scanning.datalogic.com

POWERSCAN® D8530 FAMILY DESCRIPTION

The present manual includes just a few commands to allow the startup of the scanner and setting of the required interface. For complete configuration of the scanner, refer to the PowerScan D8530 Reference Manual or the Aladdin configuration program, both downloadable from the website and available on the included CD ROM.

The PowerScan® D8530 Hand-Held Reader packs a lot of performance into an attractive, rugged, hand-held device. It operates in commercial and industrial environments as well as the front office.

Omni-directional Operating To read a symbol or capture an image, you simply aim the reader and pull the trigger. Since PowerScan® D8530 is a powerful omni-directional reader, the orientation of the symbol is not important.

Decoding Thanks to powerful algorithms, PowerScan® D8530 reliably decodes all major 1D (linear) barcodes, 2D stacked codes (such as PDF417), 2D matrix symbols (such as DataMatrix™), postal codes (such as PLANET). The data stream — acquired from decoding a symbol — is rapidly sent to the host. The reader is immediately available to read another symbol.

Formatting and Concatenating The string of a decoded code may be processed according to either a simple or advanced data formatting and be concatenated to other codes (up to 4 different codes).

Imaging PowerScan® D8530 can also function as a camera by capturing entire images or image portions of labels, signatures, and other items. Two different control modes are available for managing the camera exposure and calibration.

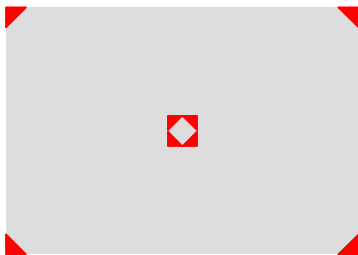
Autoscanning An autoscan command causes the reader to scan continuously and to monitor the central zone of its reading area.

Flash Memory Flash technology allows the upgrade of the PowerScan® D8530 reader as new symbologies are supported or as improved decoding algorithms become available.

USING POWERSCAN® D8530 FAMILY

PowerScan® D8530 normally functions by capturing and decoding codes.

The PowerScan® D8530 reader uses an intelligent aiming system. By pulling the trigger, the aiming system indicates a field of view, which should be positioned over the code:



Aiming System

When you pull the trigger, a red beam illuminates the code. If the aiming system is centered and the entire symbology is within the aiming system, you will get a good read. The field of view changes size as you move the reader closer or farther away from the code.

Linear barcode



2D Matrix symbol



Relative Size and Location of Aiming System Pattern

Successful reading is signaled by an audible tone plus a good-read green LED.



NOTE

The PowerScan® D8530 hand-held reader aiming system is designed for general reading and decoding of 1D and 2D symbols. Some variation in reading distance will occur due to narrow bar width and other factors.



NOTE

If reading codes positioned on reflective surfaces, it may be necessary to tilt the reader with respect to the barcode and/or set the Camera Control parameters. For configuring the Camera Control parameters refer to the PowerScan® D8530 Reference Manual available on the website and the CD-ROM.

INDICATORS

LED INDICATORS

The PowerScan® D8530 family uses green LED indicators to signal the following reader functions:

STATUS	BEHAVIOR
Power ON	At power-on, the LEDs blink briefly, then light up for 2 seconds to signal the power supply is present.
Normal Function	The LED lights up after a good decoding and will switch off only at the next trigger press.

BEEPER

The PowerScan® D8530 basic software provides beeper signals for good/wrong reading and for indicating errors. Its tone, volume and duration can be directly configured by using the codes given in the PowerScan® D8530 Reference Manual available on the website.

The application program can also manage the beeper (User Defined Beeper) when the reader is controlled by a Host PC. It is possible to activate the beeper by sending a command from the Host to the reader via the current communication interface.

GOOD READ SPOT

A green Good-Read Spot will be projected in the field of view when the reading is successful.

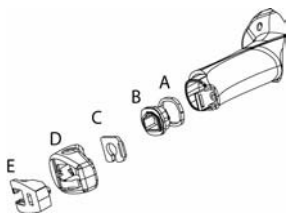
SETUP

1. Make connections between PowerScan® D8530 and the Host PC using the correct interface cable (see the following sections).
2. Read the correct Interface Selection code.

Your reader is now ready to read codes using the default settings.

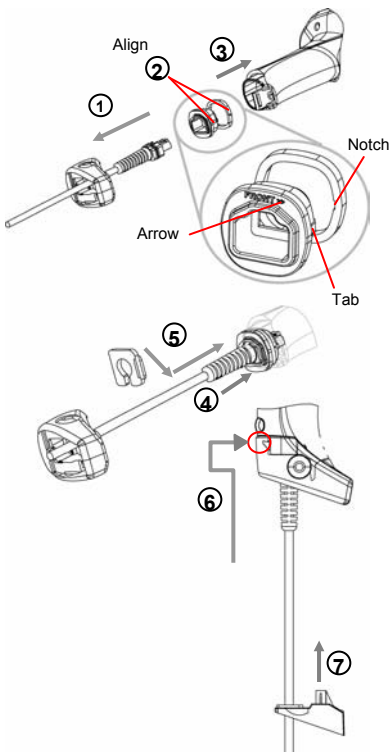
CONNECTIONS

CONNECTING THE CABLE



- A. Rubber gasket
- B. Plastic boot
- C. Cable spacer
- D. Cover
- E. Strain relief

- ① Slip the cover over the cable.
- ② Push the plastic boot into the rubber gasket. Take care that the tab on the plastic boot is aligned with the notch in the rubber gasket.
- ③ Push the plastic boot and gasket into the handle. Ensure that the "Front" marking on the plastic boot is facing out, with the arrow pointing towards the front of the scanner.
- ④ Insert the cable into the socket of the plastic boot.
- ⑤ Insert the cable spacer into the cable wire and slide it towards the handle.
- ⑥ Push the cover along the cable towards the reader, and hook it over the yellow "tooth".
- ⑦ Insert the strain relief into the cover and tighten the screw to fix the whole assembly to the reader handle.



RS-232



WEDGE



USB

The USB interface is compatible with:

Windows® 98 (and later)
Mac OS 8.0 (and later)

IBM POS for Windows®
4960 Operating System



START-UP

As with all USB devices, upon connection, the Host performs several checks by communicating with the PowerScan® D8530™. During this phase the green LED on the PowerScan® D8530™ reader blinks and normal operations are suspended. The correct USB driver must be loaded before the PowerScan D8530 is ready to read codes

For all systems, the correct USB driver for the default USB-KBD interface is included in the Host Operating System and will either be loaded automatically or will be suggested by the O.S. and should therefore be selected from the dialog box (the first time only).

When configuring the USB-COM interface, the relevant files and drivers must be installed from the USB Device Installation software, which can be downloaded from the web site <http://www.scanning.datalogic.com> or can be found on the CD-ROM.

The reader is ready.

INTERFACE SELECTION

RS-232



WEDGE – IBM AT



USB BULK



USB KB EMULATION



USB COM EMULATION



USB GENERIC HID



RESTORE DEFAULT



WEDGE KEYBOARD NATIONALITY

This parameter default value is restored through the Interface Selection code and not through the Restore Default code.

Select one of the following keyboard nationality codes.

Belgian



English



French



German



Italian



Japanese



Spanish



Swedish



◆ USA



USB KEYBOARD NATIONALITY

This parameter default value is restored through the Interface Selection code and not through the Restore Default code.

Select one of the following keyboard nationality codes.

Belgian



English



French



German



Italian



Japanese



Spanish



Swedish



◆ **USA**



READING PARAMETERS

GOOD READ SPOT DURATION

Disabled



◆ Short



Medium



Long



Successful reading can be signaled by a good read green spot.

DEFAULT CONFIGURATION

RS-232 Standard DEFAULT SETTINGS

115200 baud, no parity, 8 data bits, 1 stop bit, no handshake, no protocol, FIFO enabled, intercharacter delay = 0, intercode delay = 0, serial trigger lock disabled, serial trigger lock disable character = NUL, serial trigger lock enable character = NUL, RX Timeout = 10 sec

USB COM Emulation DEFAULT SETTINGS

no handshake, no protocol, FIFO enabled, intercharacter delay = 0, intercode delay = 0

USB Keyboard Emulation DEFAULT SETTINGS

USA keyboard*, intercharacter delay = 0, intercode delay = 0, FIFO enabled, keyboard speed = normal

WEDGE Communication DEFAULT SETTINGS

USA keyboard*, CapsLock OFF, CapsLock Auto-Recognition ON, NumLock OFF, intercharacter delay = 0, intercode delay = 0

DATA FORMAT – Symbology Independent Parameters

custom code identifier disabled, code identifier disabled, code length disabled
Default headers and terminators*:

- RS-232: no header, terminator = CR-LF
- USB BULK: no header, terminator = CR-LF
- USB COM: no header, terminator = CR-LF
- USB Generic HID: no header, terminator = CR-LF
- Wedge: no header, terminator = ENTER
- USB Keyboard: no header, terminator = ENTER

DATA FORMAT – Symbology Dependent Parameters

symbology specific format = select all, no headers, no terminators, symbology character substitution disabled, symbology character deletion disabled

DATA FORMAT – Concatenation

Concatenation disabled, 2 EAN/UPC codes concatenated, Set First Concatenated Code Length 000 = any length, Set Second Concatenated Code Length 000 = any length, Set Third Concatenated Code Length 000 = any length, Set Fourth Concatenated Code Length 000 = any length, Concatenation with Intercode Delay disabled, Concatenation Timeout 10 seconds, Concatenation Failure Transmission = Tx codes causing failure, Transmission after Timeout = No code transmission, Concatenation Result Code ID = No code Identifier

ADVANCED FORMATTING PARAMETERS

format disabled

CAMERA CONTROL

exposure mode = automatic, based on entire image

POWER SAVE

Illumination power = ON

* The default values of these parameters are set when reading the interface selection.

CODE SELECTION

issue identical codes = enable

enabled codes

Standard Code 39: no check digit control, variable code length;

EAN 8/EAN 13 / UPC A/UPC E without ADD ON: UPCE expansion disabled

Interleaved 2/5: check digit control and transmission, variable code length

Code 128: variable code length

PDF417

Datamatrix: rectangular, normal and inverted, variable code length

QR

disabled codes

Code 32, Codabar, Code 93, EAN 128, Aztec, GS1 DataBar™, Micro PDF417, Postal Codes, Maxicode, Composite Codes

READING PARAMETERS

trigger type normal, trigger level mode, flash on = 2 sec, flash off = 2 sec, beeper tone = tone 1, beeper volume = high, beeper duration = 50 ms, user defined beeper = tone 1, user defined beeper volume = high, user defined beeper duration = 100 ms, code per scan = one code per scan, read per cycle = one read per cycle, scan timeout = 5 sec, central code transmission enabled, order by code length disabled, order by code symbology disabled, autoscan mode disabled, autoscan aiming system enabled, autoscan hardware trigger enabled, autoscan illumination system disabled, stand autoscan mode = normal, aiming system delay = disabled, good read spot = short, safety time = 500 ms

IMAGE FORMATTING

Image Preset 1, 2, 3, 4

image format = JPEG, resolution = full (1280 x 1024), set JPEG quality factor = 50, brightness = 0%, contrast = 0%, color depth = 256 gray level.

OPERATING TEST

EAN-13



Code 39 (Standard)



Code 128



PDF417



QR



Data Matrix (Normal)



TECHNICAL FEATURES

PowerScan® D8530 Family Common Features

Electrical Features	
Operating Voltage	5 to 30 V
Power Consumption @ 5V (Typical)	600 mA
@30V (Typical)	100 mA
Communications Features	
Standard Interfaces	RS-232, Keyboard emulation AT IBM, USB COM emulation, USB Keyboard emulation
Proprietary Interfaces	USB Bulk, USB Generic HID
Environmental Features	
Operating Temperature	-10° to +55° C (+14° to +131° F)
Storage Temperature	-20° to +70° C (-4° to +158° F)
Humidity	0 to 95% NC
Drop Resistance	2 m / 6.6 ft (over 50 drops to concrete)
IP Sealing	IP65
Mechanical Features	
Dimensions	20.8 x 6.6 x 11 cm / 8.1 x 2.6 x 4.3 in
Weight	295 g / 10.4 oz (without cable)
Decoding Capability	
1D	Interleaved 2 of 5, Code 39, Code 32, Code 128, EAN 128, Code93, UPC/EAN/JAN, Codabar, GS1 DataBar™
2D	Aztec, PDF417, Micro PDF417, Macro PDF417, Maxicode, DataMatrix (ECC200), QR, Composite Codes
Postal Codes	PLANET, Japan Post, Australia Post, KIX Code, Royal Mail Code (RM4SCC)
Imaging Options	
Image	1280x1024 pixels (Full Resolution)
	640 x 512 pixel format (Half Resolution);
Graphic Format	JPEG, 256 gray levels
	TIFF, 2, 16, 256 gray levels
Optical Features	
Sensor	1280 x 1024 pixel element, 2D CMOS Array
Illuminator	LED array
Wavelength	In the range 630 ~ 670 nm
LED Safety Class	Class 1 to EN 60825-1
Aiming System	Visible Laser Diode
Wavelength	650 nm
Laser Safety Class	Class 2 - EN 60825-1; Class II CDRH
Ambient light	0 - 100000 lux

PowerScan® D8530™

Optical Features			
Focus distance	140 mm		
Field of view	28° (H) x 23° (V)		
Horizontal field of view at distance (d) in mm	0.52d + 15		
Vertical field of view at distance (d) in mm	0.42d + 12		
Max Resolution	Linear codes - mm (mils)	PDF 417 – mm (mils)	Datamatrix – mm (mils)
	0.10 (4 mils)	0.10 (4 mils)	0.17 (6.6 mils)
Depth of field*			
1D (linear):	X-dimension mm (mils)	DOF cm (in)	
Code39	0.13 (5)	7.5 to 15.5 (2.95 to 6.10)	
	0.5 (20)	5.5 to 36.5 (2.17 to 14.37)	
EAN13	0.33 (13)	5.0 to 27 (1.97 to 10.63)	
2D:	X-dimension mm (mils)	DOF cm (in)	
PDF417	0.13 (5)	8.0 to 18.5 (3.15 to 7.28)	
	0.25 (10)	4.0 to 25.5 (1.57 to 10.04)	
QR	0.19 (7.5)	8.0 to 16.5 (3.15 to 6.5)	
	0.25 (10)	7.0 to 19.5 (2.76 to 7.68)	
DataMatrix	0.19 (7.5)	8.0 to 16.5 (3.15 to 6.5)	
	0.25 (10)	7.0 to 19.5 (2.76 to 7.68)	
Skew	±40°		
Pitch	±35°		
Rotation	360°		
Print Contrast (Min.)	15%		

- Reading distances are measured from the nose of the reader.

NOTE: Typical performance at 20°C / 68°F on high quality barcodes.

PowerScan® D8530™ HD

Optical Features			
Focus distance	65 mm		
Field of view	27° (H) x 22° (V)		
Horizontal field of view at distance (d) in mm	0.50 d + 13		
Vertical field of view at distance (d) in mm	0.40 d + 10		
Max Resolution	Linear codes - mm (mils)	PDF 417 – mm (mils)	Datamatrix – mm (mils)
	0.05 (2 mils)	0.08 (3 mils)	0.10 (4 mils)
Depth of field*			
1D (linear):	X-dimension mm (mils)	DOF cm (in)	
Code39	0.08 (3)	4.5 to 8.0 (1.77 to 3.15)	
	0.13 (5)	3.5 to 9.5 (1.38 to 3.74)	
	0.51 (20)	6.0 to 18.5 (2.36 to 7.28)	
EAN13	0.33 (13)	5.0 to 14 (1.97 to 5.51)	
2D:	X-dimension mm (mils)	DOF cm (in)	
PDF417	0.08 (3)	5.0 to 8.5 (1.97 to 3.35)	
	0.13 (5)	4.5 to 9.5 (1.77 to 3.74)	
	0.25 (10)	3.0 to 13.0 (1.18 to 5.12)	
QR	0.10 (4)	5.5 to 7.5 (2.17 to 2.95)	
	0.19 (7.5)	5.0 to 8.0 (1.97 to 3.15)	
	0.25 (10)	4.5 to 9.5 (1.77 to 3.74)	
DataMatrix	0.10 (4)	5.5 to 7.5 (2.17 to 2.95)	
	0.19 (7.5)	5.0 to 8.0 (1.97 to 3.15)	
	0.25 (10)	4.5 to 9.5 (1.77 to 3.74)	
Skew	±40°		
Pitch	±35°		
Rotation	360°		
Print Contrast (Min.)	23%		

- Reading distances are measured from the nose of the reader.

NOTE: Typical performance at 20°C / 68°F on high quality barcodes.

PowerScan® D8530™ WA

Optical Features			
Focus distance	115 mm		
Field of view	54° (H) x 45° (V)		
Horizontal field of view at distance (d) in mm	1.04d + 40		
Vertical field of view at distance (d) in mm	0.40d + 10		
Max Resolution	Linear codes - mm (mils)	PDF 417 - mm (mils)	Datamatrix - mm (mils)
	0.13 (5 mils)	0.13 (5 mils)	0.19 (7.5 mils)
Depth of field*			
1D (linear):	X-dimension mm (mils)	DOF cm (in)	
Code39	0.13 (5)	2.5 to 10.0 (0.98 to 3.94)	
	0.51 (20)	1.5 to 32 (0.59 to 12.60)	
EAN 13	0.33 (13)	1.5 to 26.0 (0.59 to 10.24)	
2D:	X-dimension mm (mils)	DOF cm (in)	
PDF417	0.13 (5)	3.0 to 10.5 (1.18 to 4.13)	
	0.25 (10)	1.5 to 21.5 (0.59 to 8.46)	
QR	0.19 (7.5)	5.5 to 8.5 (2.17 to 3.35)	
	0.25 (10)	3.0 to 12.5 (1.18 to 4.92)	
DataMatrix	0.19 (7.5)	5.5 to 8.5 (2.17 to 3.35)	
	0.25 (10)	3.0 to 12.5 (1.18 to 4.92)	
Skew	±40°		
Pitch	±35°		
Rotation	360°		
Print Contrast (Min.)	15%		

- Reading distances are measured from the nose of the reader.

NOTE: Typical performance at 20°C / 68°F on high quality barcodes.

SERVICE AND SUPPORT

Datalogic provides several services as well as technical support through its website. Log on to www.scanning.datalogic.com and click on the links indicated for further information including:

- **PRODUCTS**

Search through the links to arrive at your product page where you can download specific **Manuals** and **Software & Utilities** including:

- **Datalogic Aladdin™** a multi-platform utility program that allows device configuration using a PC. It provides RS-232 interface configuration as well as configuration barcode printing.

- **SERVICE & SUPPORT**

- **Technical Support** – Product documentation and programming guides and Technical Support Department in the world
- **Service Programs** – Warranty Extensions and Maintenance Agreements
- **Repair Services** – Flat Rate Repairs and Return Material Authorization (RMA) Repairs.
- **Downloads** – Manuals & Documentation, Data Sheets, Product Catalogues, etc.

- **CONTACT US**

Information Request Form and Sales & Service Network

WARRANTY

Datalogic warrants this product against defects in workmanship and materials, for a period of 3 years from the date of shipment, provided that the product is operated under normal and proper conditions.

Datalogic has the faculty to repair or replace the product, these provisions do not prolong the original warranty term.

The warranty does not apply to any product that has been subject to misuse, accidental damage, unauthorized repair or tampering.

PATENTS

This product is covered by one or more of the following patents:

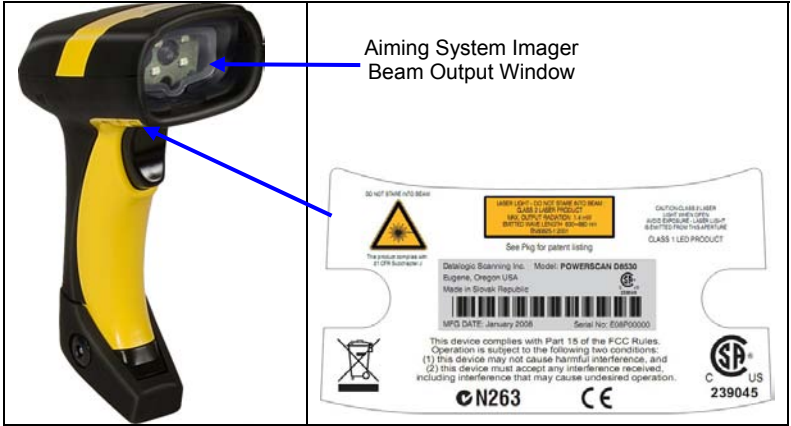
Design Pat.: AU 310201; AU 310202; CN 693980; HK 0602013.5M001; HK 0602013.5M002; JP 1305693; KR 30-0460940.

US Pat.: 6,478,226 B2; 6,512,218 B1; 6,808,114 B1; 6,877,664 B1; 6,997,385 B2; 7,053,954 B1; 7,102,116 B2; 7,282,688 B2.

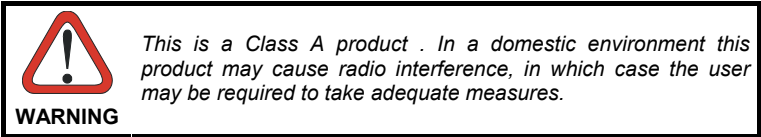
European Pat.: 996,284 B1; 999,514 B1; 1,128,315 B1.

Additional patents pending.

COMPLIANCE



CE COMPLIANCE



FCC COMPLIANCE

Modifications or changes to this equipment without the expressed written approval of Datalogic could void the authority to use the equipment.

This device complies with PART 15 of the FCC Rules. Operation is subject to the following two conditions: (1) This device may not cause harmful interference, and (2) this device must accept any interference received, including interference which may cause undesired operation.

This equipment has been tested and found to comply with the limits for a Class A digital device, pursuant to part 15 of the FCC Rules. These limits are designed to provide reasonable protection against harmful interference when the equipment is operated in a commercial environment. This equipment generates, uses, and can radiate radio frequency energy and, if not installed and used in accordance with the instruction manual, may cause harmful interference to radio communications. Operation of this equipment in a residential area is likely to cause harmful interference in which case the user will be required to correct the interference at his own expense.

LASER SAFETY

The PowerScan® D8530 hand-held reader is a Class 1 LED product regarding its Illuminator and a Class 2 laser product regarding its Aiming System.

LED Illuminator

The use of an illuminator in the PowerScan® D8530 hand-held reader is a Class 1 LED product:

ILLUMINATORE LED CLASSE 1
 AUSLEUCHTER LED KLASSE 1
 ILLUMINATEUR A LED DE CLASSE 1
 ILUMINADOR LED DE CLASE 1

Aiming System

The PowerScan® D8530 aiming system meets the Class 2 requirements for laser safety.



I	D	F	E
LA LUCE LASER È VISIBILE ALL'OCCHIO UMANO E VIENE EMESSA DALLA FINESTRA INDICATA NELLA FIGURA.	DIE LASER-STRAHLUNG IST FÜR DAS MENSCHLICHE AUGE SICHTBAR UND WIRD AM STRAHLAUS TRITTSFENSTER AUSGESENDET (SIEHE BILD)	LE RAYON LASER EST VISIBLE À L'OEIL NU ET IL EST ÉMIS PAR LA FENÊTRE DÉSIGNÉE SUR L'ILLUSTRATION DANS LA FIGURE	A LUZ LÁSER ES VISIBLE AL OJO HUMANO Y ES EMITIDA POR LA VENTANA INDICADA EN LA FIGURA.
LUCE LASER NON FISSARE IL FASCIO APPARECCHIO LASER DI CLASSE 2 MASSIMA POTENZA D'USCITA: LUNGHEZZA D'ONDA EMESSA: CONFORME A EN 60825-1 (2001)	LASERSTRAHLUNG NICHT IN DEN STRAHL BLICKEN PRODUKT DER LASERKLASSE 2 MAXIMALE AUSGANGSLEISTUNG: WELLENLÄGE: ENTSPR. EN 60825-1 (2001)	RAYON LASER EVITER DE REGARDER LE RAYON APPAREIL LASER DE CLASSE 2 PUISSANCE DE SORTIE: LONGUEUR D'ONDE EMISE: CONFORME A EN 60825-1 (2001)	RAYO LÁSER NO MIRAR FIJO EL RAYO APARATO LÁSER DE CLASE 2 MÁXIMA POTENCIA DE SALIDA: LONGITUD DE ONDA EMITIDA: CONFORME A EN 60825-1 (2001)

ENGLISH

The following information is provided to comply with the rules imposed by international authorities and refers to the correct use of your terminal.

STANDARD LASER SAFETY REGULATIONS

This product conforms to the applicable requirements of both CDRH 21 CFR 1040 and EN 60825-1 at the date of manufacture.

For installation, use and maintenance, it is not necessary to open the device.

**WARNING**

Use of controls or adjustments or performance of procedures other than those specified herein may result in exposure to hazardous visible laser light.

The product utilizes a low-power laser diode. Although staring directly at the laser beam momentarily causes no known biological damage, avoid staring at the beam as one would with any very strong light source, such as the sun. Avoid that the laser beam hits the eye of an observer, even through reflective surfaces such as mirrors, etc.

ITALIANO

Le seguenti informazioni vengono fornite dietro direttive delle autorità internazionali e si riferiscono all'uso corretto del terminale.

NORMATIVE STANDARD PER LA SICUREZZA LASER

Questo prodotto risulta conforme alle normative vigenti sulla sicurezza laser alla data di produzione: CDRH 21 CFR 1040 e EN 60825-1.

Non si rende mai necessario aprire l'apparecchio per motivi di installazione, utilizzo o manutenzione.

**ATTENZIONE**

L'utilizzo di procedure o regolazioni differenti da quelle descritte nella documentazione può provocare un'esposizione pericolosa a luce laser visibile.

Il prodotto utilizza un diodo laser a bassa potenza. Sebbene non siano noti danni riportati dall'occhio umano in seguito ad una esposizione di breve durata, evitare di fissare il raggio laser così come si eviterebbe qualsiasi altra sorgente di luminosità intensa, ad esempio il sole. Evitare inoltre di dirigere il raggio laser negli occhi di un osservatore, anche attraverso superfici riflettenti come gli specchi.

DEUTSCH

Die folgenden Informationen stimmen mit den Sicherheitshinweisen überein, die von internationalen Behörden auferlegt wurden, und sie beziehen sich auf den korrekten Gebrauch vom Terminal.

NORM FÜR DIE LASERSICHERHEIT

Dies Produkt entspricht am Tag der Herstellung den gültigen EN 60825-1 und CDRH 21 CFR 1040 Normen für die Lasersicherheit.

Es ist nicht notwendig, das Gerät wegen Betrieb oder Installations-, und Wartungs-Arbeiten zu öffnen.



ACHTUNG

Jegliche Änderungen am Gerät sowie Vorgehensweisen, die nicht in dieser Betriebsanleitung beschreiben werden, können ein gefährliches Laserlicht verursachen.

Der Produkt benutzt eine Laserdiode. Obwohl zur Zeit keine Augenschäden von kurzen Einstrahlungen bekannt sind, sollten Sie es vermeiden für längere Zeit in den Laserstrahl zu schauen, genauso wenig wie in starke Lichtquellen (z.B. die Sonne). Vermeiden Sie es, den Laserstrahl weder gegen die Augen eines Beobachters, noch gegen reflektierende Oberflächen zu richten.

FRANÇAIS

Les informations suivantes sont fournies selon les règles fixées par les autorités internationales et se réfèrent à une correcte utilisation du terminal.

NORMES DE SECURITE LASER

Ce produit est conforme aux normes de sécurité laser en vigueur à sa date de fabrication: CDRH 21 CFR 1040 et EN 60825-1.

Il n'est pas nécessaire d'ouvrir l'appareil pour l'installation, l'utilisation ou l'entretien.



ATTENTION

L'utilisation de procédures ou réglages différents de ceux donnés ici peut entraîner une dangereuse exposition à lumière laser visible.

Le produit utilise une diode laser. Aucun dommage aux yeux humains n'a été constaté à la suite d'une exposition au rayon laser. Eviter de regarder fixement le rayon, comme toute autre source lumineuse intense telle que le soleil. Eviter aussi de diriger le rayon vers les yeux d'un observateur, même à travers des surfaces réfléchissantes (miroirs, par exemple).

ESPAÑOL

Las informaciones siguientes son presentadas en conformidad con las disposiciones de las autoridades internacionales y se refieren al uso correcto del terminal.

NORMATIVAS ESTÁNDAR PARA LA SEGURIDAD LÁSER

Este aparato resulta conforme a las normativas vigentes de seguridad láser a la fecha de producción: CDRH 21 CFR 1040 y EN 60825-1.

No es necesario abrir el aparato para la instalación, la utilización o la manutención.

**ATENCIÓN**

La utilización de procedimientos o regulaciones diferentes de aquellas descritas en la documentación puede causar una exposición peligrosa a la luz láser visible.

El aparato utiliza un diodo láser a baja potencia. No son notorios daños a los ojos humanos a consecuencia de una exposición de corta duración. Eviten de mirar fijo el rayo láser así como evitarían cualquiera otra fuente de luminosidad intensa, por ejemplo el sol. Además, eviten de dirigir el rayo láser hacia los ojos de un observador, también a través de superficies reflectantes como los espejos.

**CAUTION**

The PowerScan® D8530 Hand-Held Reader is not user-serviceable. Opening the case of the unit can cause internal damage and will void the warranty.

POWER SUPPLY

This device is intended to be supplied by a UL Listed or CSA Certified Power Unit marked "Class 2" or "LPS" output rated 5-30 V, minimum 0.75 A which supplies power directly to the scanner via the jack connector on the cable.

WEEE COMPLIANCE



Waste Electrical and Electronic Equipment (WEEE) Statement

English

For information about the disposal of Waste Electrical and Electronic Equipment (WEEE), please refer to the website at www.scanning.datalogic.com.

Italian

Per informazioni sullo smaltimento delle apparecchiature elettriche ed elettroniche consultare il sito Web www.scanning.datalogic.com.

French

Pour toute information relative à l'élimination des déchets électroniques (WEEE), veuillez consulter le site internet www.scanning.datalogic.com.

German

Informationen zur Entsorgung von Elektro- und Elektronik- Altgeräten (WEEE) erhalten Sie auf der Webseite www.scanning.datalogic.com.

Spanish

Si desea información acerca de los procedimientos para el desecho de los residuos del equipo eléctrico y electrónico (WEEE), visite la página Web www.scanning.datalogic.com.

Portuguese

Para informações sobre a disposição de Sucatagem de Equipamentos Elétricos e Eletrônicos (WEEE -Waste Electrical and Electronic Equipment), consultar o site web www.scanning.datalogic.com.

Chinese

有关处理废弃电气电子设备 (WEEE) 的信息，请参考Datalogic公司的网站：<http://www.scanning.datalogic.com/>。

Japanese

廃電気電子機器 (W E E E) の処理についての関連事項はDatalogicのサイト www.scanning.datalogic.com, **をご参照下さい。**

NOTES

NOTES



Datalogic Scanning Group Srl
Via S. Vitalino, 13
Lippo di Calderara di Reno (BO)
40012 Italy

dichiara che
declares that the
déclare que le
bescheinigt ,daß das Gerät
declare que el

POWERSCAN D8530 ; 2D Reader

e tutti i suoi modelli
and all its models
et tous les modèles
und seine modelle
y todos sus modelos

sono conformi alle Direttive del Consiglio Europeo sottoelencate:
are in conformity with the requirements of the European Council Directives listed below
sont conformes aux spécifications des Directives de l'Union Européenne ci-dessous:
den nachstehenden angeführten Direktiven des Europäischen Rats:
cumple con los requisitos de las Directivas del Consejo Europeo, según la lista siguiente:

89/336/EEC EMC Directive	e	92/31/EEC, 93/68 /EEC	emendamenti successivi
	and		further amendments
	et		ses successifs amendements
	und		späteren Abänderungen
	y		sucesivas enmiendas

Basate sulle legislazioni degli Stati membri in relazione alla compatibilità elettromagnetica ed alla sicurezza dei prodotti.

On the approximation of the laws of Member States relating to electromagnetic compatibility and product safety.

Basée sur la législation des Etats membres relative à la compatibilité électromagnétique et à la sécurité des produits.

Über die Annäherung der Gesetze der Mitgliedsstaaten in bezug auf elektromagnetische Verträglichkeit und Produktsicherheit entsprechen.

Basado en la aproximación de las leyes de los Países Miembros respecto a la compatibilidad electromagnética y las Medidas de seguridad relativas al producto.

Questa dichiarazione è basata sulla conformità dei prodotti alle norme seguenti:

This declaration is based upon compliance of the products to the following standards:

Cette déclaration repose sur la conformité des produits aux normes suivantes:

Diese Erklärung basiert darauf, daß das Produkt den folgenden Normen entspricht:

Esta declaración se basa en el cumplimiento de los productos con las siguientes normas:

EN 55022 (CLASS A ITE), AUGUST 1994:
AMENDMENT A1 (CLASS A ITE), OCTOBER 2000:
EN 61000-6-2, OCTOBER 2001:

LIMITS AND METHODS OF MEASUREMENTS OF RADIO
DISTURBANCE CHARACTERISTICS OF INFORMATION
TECHNOLOGY EQUIPMENT
ELECTROMAGNETIC COMPATIBILITY (EMC)
PART 6-2: GENERIC STANDARDS - IMMUNITY FOR
INDUSTRIAL ENVIRONMENTS
Ruggero Cacioppo
Quality Assurance Manager

Lippo di Calderara, February 11th , 2008

Australia

Datalogic Scanning Pty Ltd
North Ryde, Australia
Telephone: [61] (2) 9870 3200
Fax: [61] (2) 9878 8688

France and Benelux

Datalogic Scanning Sarl
LES ULIS Cedex, France
Telephone: [33].01.64.86.71.00
Fax: [33].01.64 46.72.44

Germany

Datalogic Scanning GmbH
Darmstadt, Germany
Telephone: 49 (0) 61 51/93 58-0
Fax: 49 (0) 61 51/93 58 58

Italy

Datalogic Scanning SpA
Vimercate (MI), Italy
Telephone: [39] (0) 39/62903.1
Fax: [39] (0) 39/6859496

Japan

Datalogic Scanning KK
Shinagawa, Tokyo, Japan
Telephone: 81 (0)3 3491 6761
Fax: 81 (0)3 3491 6656

Latin America

Datalogic Scanning, Inc
Miami, Florida, USA
Telephone: (305) 591-3222
Fax: (305) 591-3007

Spain and Portugal

Datalogic Scanning Sarl
Sucursal en España
Madrid, Spain
Telephone: 34 91 746 28 60
Fax: 34 91 742 35 33

United Kingdom

Datalogic Scanning LTD
Watford, England
Telephone: 44 (0) 1923 809500
Fax: 44 (0) 1923 809 505



www.scanning.datalogic.com

Datalogic Scanning, Inc.

959 Terry Street
Eugene, OR 97402
Telephone: (541) 683-5700
Fax: (541) 345-7140

